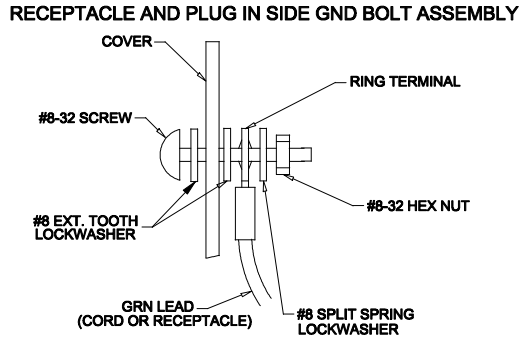
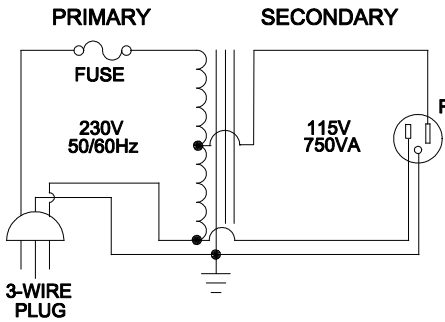
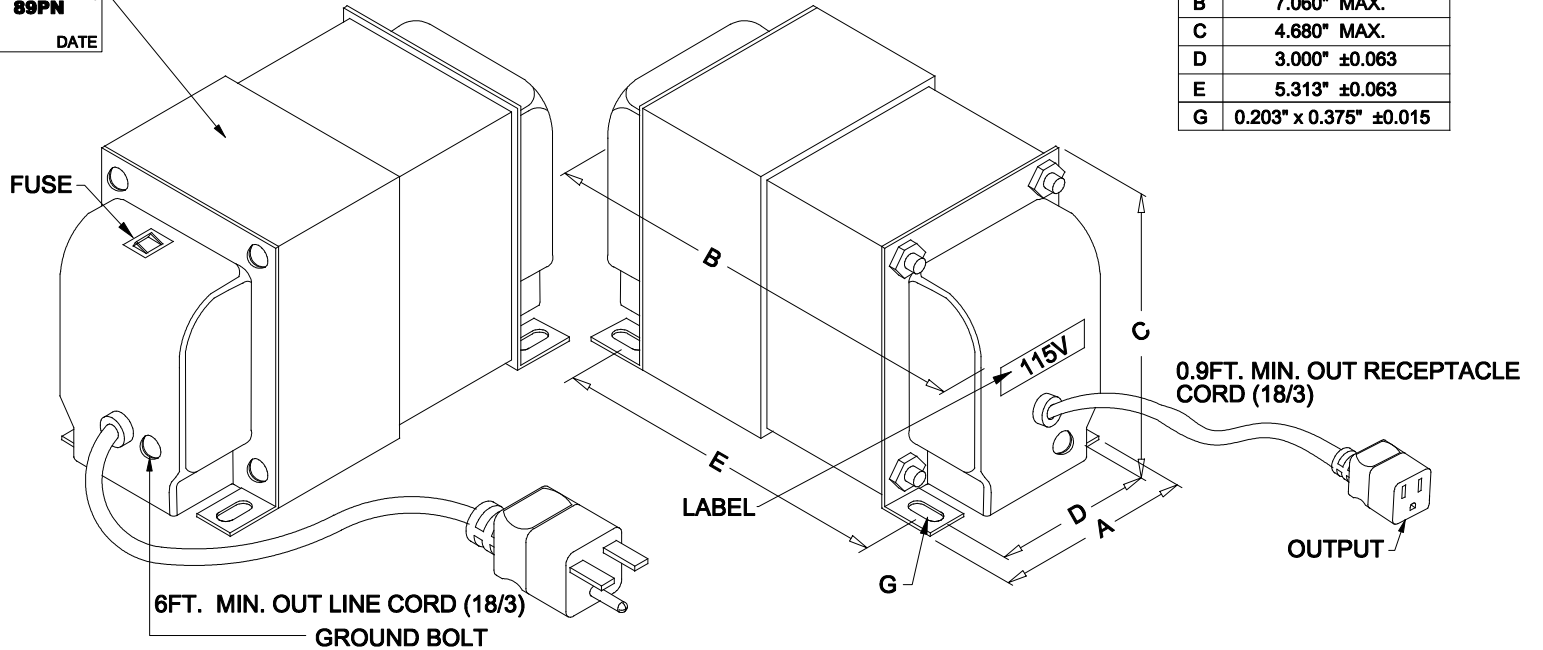

AUTO TRANSFORMER
175E-NA
 INPUT: 230V 50/60Hz 750VA
 OUTPUT: 115V 6.52A
 MADE IN CANADA
 DATE



ELECTRICAL DATA:		
TESTS	CONDITIONS	ACCEPTANCE CRITERIA
Iex	@ 230V, 60Hz, TO CORD PLUG	658mA Max.
Sec. N.L.V	@ 230V, 60Hz, TO CORD PLUG	
	RECEPTACLE PLUG =	116.87V ±2%
DCR	@ 20°C, TO CORD PLUG =	0.610 Ω ±20%
	@ 20°C, RECEPTACLE PLUG =	0.310 Ω ±20%
HIPOT	PRIMARY - SECONDARY	2000V, 60Hz, 1 SEC

REV.#	REVISION	DATE
0	RELEASED.	04/06/11


HAMMOND
MANUFACTURING™

ELECTRONIC DIVISION
 52 RANKIN PLACE,
 WATERLOO, ONTARIO, N2J 3Z5
 PH # (519) 886-6181
 FAX # (519) 886-9540

DWG. BY: C. ILIE	CHK'D BY:	TITLE: PLUG IN - STEP DOWN AUTO TRANSFORMER	DWG. NO. 175E-NA
DATE: 04/06/11	APP'D. BY:		
	DIMENSIONS: IN(X) MM()		