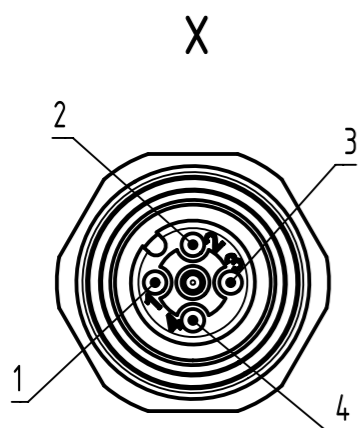


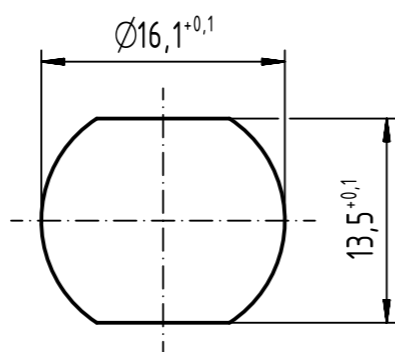
M12 A-coded 4-poles, female straight PFT connector



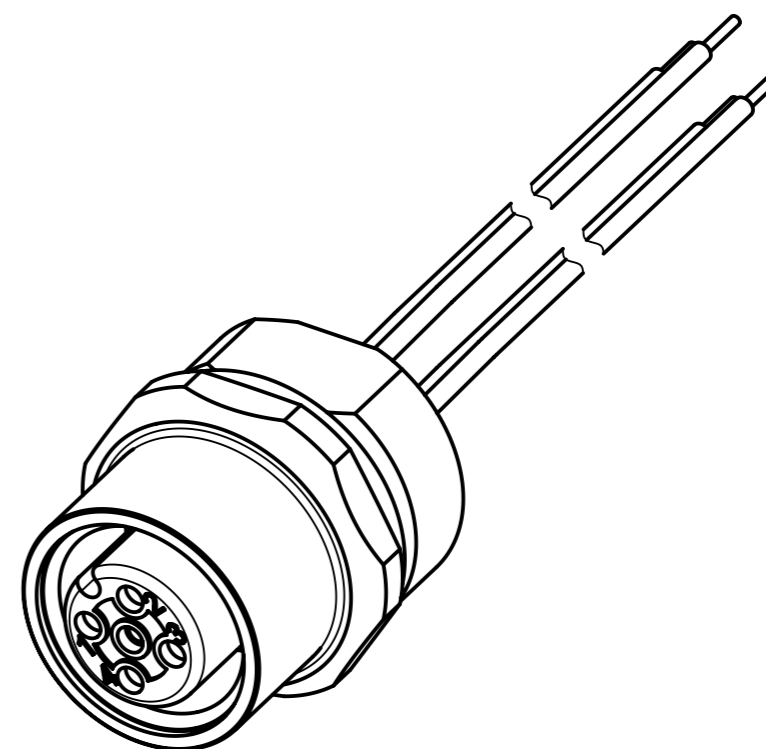
Loading-Plan:

- 1 brown
- 2 white
- 3 blue
- 4 black

Recommended panel cut-out



Minimum wall thickness 1.5mm



- Protection level: IP67
- Temperature range: -30°C ... +80°C

1		21033176405		AWG 24, PVC		0.5		All rights reserved Department EC PD - RO HARTING Electronics GmbH D-32339 Espelkamp		All Dimensions in mm Original Size DIN A3 Scale 2:1 Free size tol.		Ref. Sub.	
Cont. No.		Part - no.		Type of cable		Dim. a[m]		Created by TAMAS Inspected by AVRAM Standardisation HOFFMANN Date 2014-08-25 State Final Release		Title M12 A-coded Cable Assembly Type TB Number 210331764XX		Doc-Key / ECM-Nr. 100580483/UGD/009/B 50000079096 Rev. B Page 1/1	