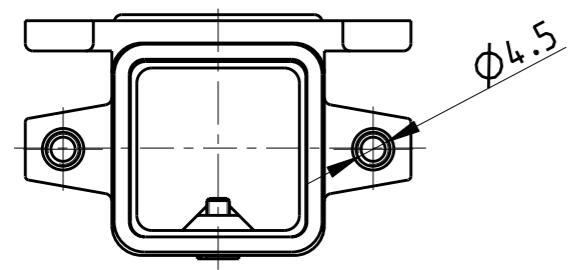
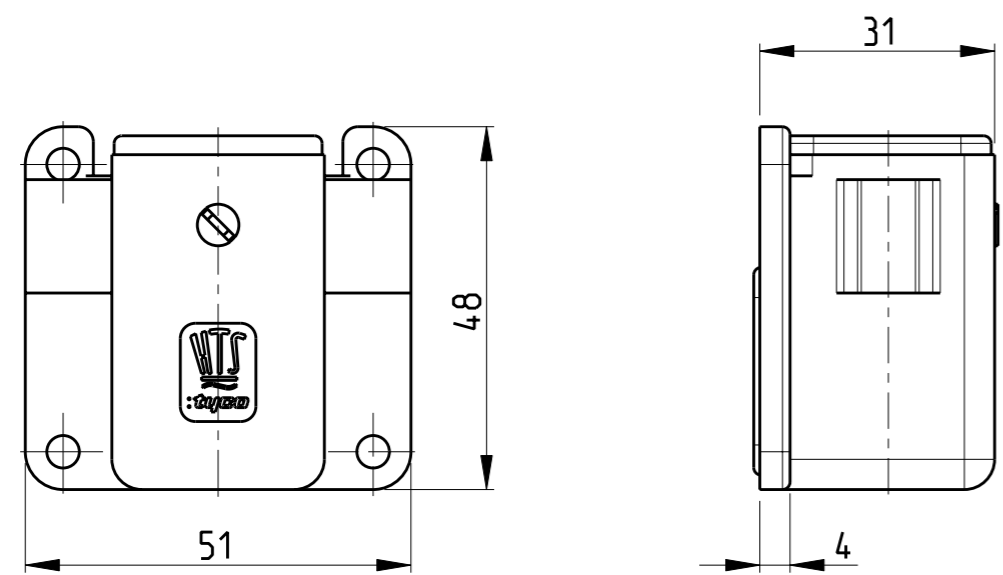
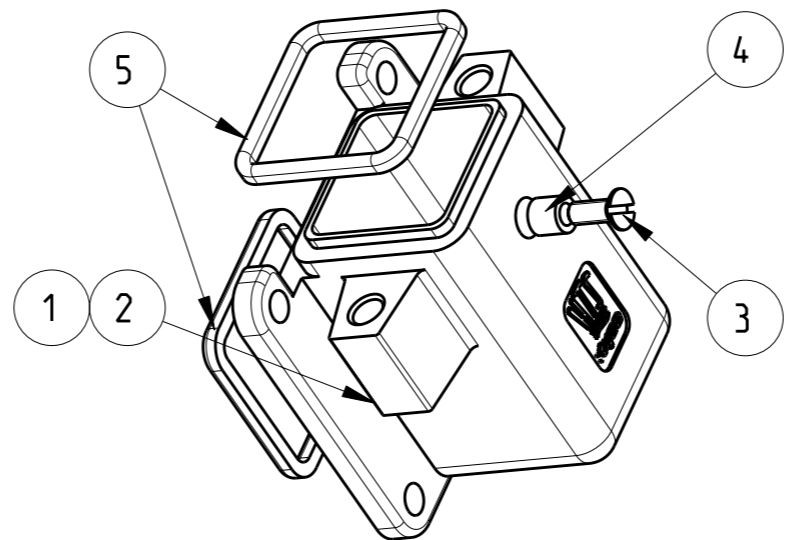


THIS DRAWING IS UNPUBLISHED. RELEASED FOR PUBLICATION 2009  
 © COPYRIGHT 2009 BY TYCO ELECTRONICS CORPORATION. ALL RIGHTS RESERVED.

LOC	DIST	REVISIONS			
P	LTR	DESCRIPTION	DATE	DWN	APVD
A1	-	A7	ECR-09-023155	22OCT2009	VG AR



PN 4-5 AS SHOWN

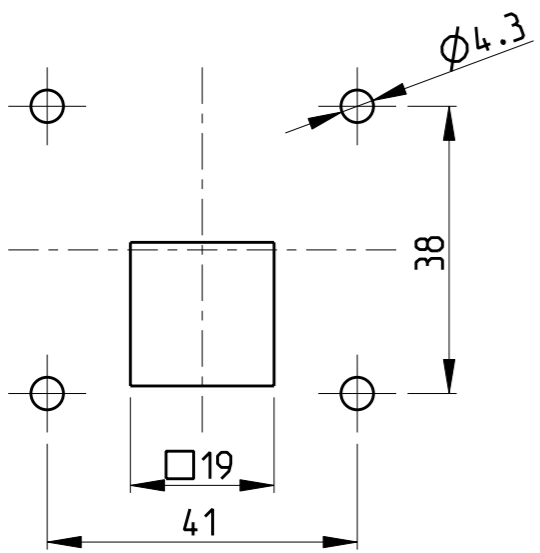


Notes

- 1 SUITABLE HOUSINGS: SERIES EMV, SIZE 1  
CUSTOMER DRAWING 1102700, 1106402, 1106200
- 2 STANDARDS:  
DIN EN 61984, DIN EN 60664-1
- 3 SUR TEC 650 CHROMIT AL TCP PASSIVATION
- 4 TOOL:  
SLOTTED SCREW DRIVER 4.0x0.8
- 5 VARNISH ON INSIDE AREA NOT NECESSARY
- 6 PACKAGING:  
10 SETS IN A CARTON, PRE-MOUNTED

3-1102702-5	EMV.3/4.SGF
4-1102702-5	EMV-K.3/4.SGF
<b>PART NO.</b>	<b>ORDERING TEXT</b>

PANEL-CUT-OUT



PN/QTY	DESCRIPTION	MATERIAL	COLOR/SURFACE	NOTE	ITEM
2	2 PROFILE SEAL	FKM	BLACK	SERIES EMV / HIP	5
1	1 HOSE SECTION	FKM	BLACK	SERIES EMV / HIP $\phi 3 \times 1 \times 4.5$	4
1	1 SCREW, SLOTTED COUNTERS. FLAT HEAD	STAINL. STEEL	BLANK	M3x8 DIN EN ISO 2009	3
1	- ANGLED BULKHEAD HOUSING	ALU	BLACK SEE NOTE 3	SERIES EMV-K	2
-	1 ANGLED BULKHEAD HOUSING	ALU	GREY	SERIES EMV	1

PARTS LIST (PER ONE UNIT)

THIS DRAWING IS A CONTROLLED DOCUMENT FOR TYCO ELECTRONICS CORPORATION IT IS SUBJECT TO CHANGE AND THE CONTROLLING ENGINEERING ORGANIZATION SHOULD BE CONTACTED FOR THE LATEST REVISION.		DWN V.GLUMM 25AUG2009 CHK H.Braun 25AUG2009 APVD T.Schnurpfeil 25AUG2009	<b>Tyco Electronics</b> Tyco Electronics AMP GmbH 64625 Bensheim (Germany)
DIMENSIONS: mm 	TOLERANCES UNLESS OTHERWISE SPECIFIED: 0 PLC ± 1 PLC ± 2 PLC ± 3 PLC ± 4 PLC ± ANGLES ±1°	PRODUCT SPEC APPLICATION SPEC WEIGHT -	<b>ANGLED BULKHEAD HOUSING ASS'Y          BOTTOM ENTRY, SERIES EMV, SIZE 1</b>
MATERIAL -	FINISH -	SIZE A3 CAGE CODE 00779 DRAWING NO C-1102702	RESTRICTED TO -
CUSTOMER DRAWING		SCALE 1:1	SHEET 1 OF 1 REV A7