

4

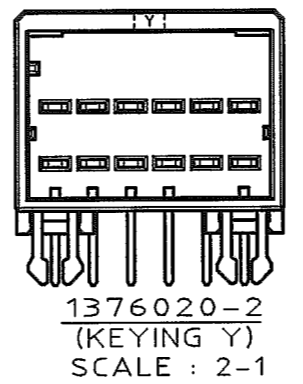
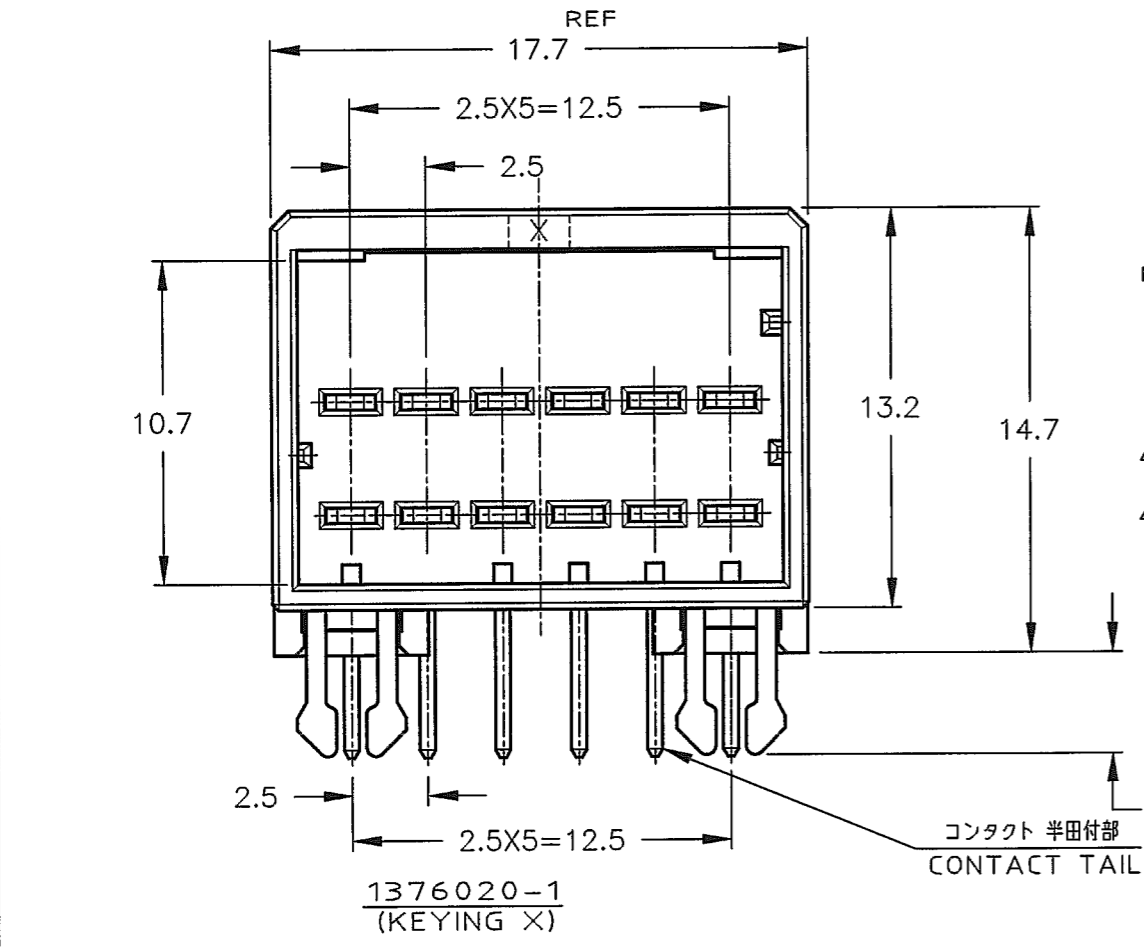
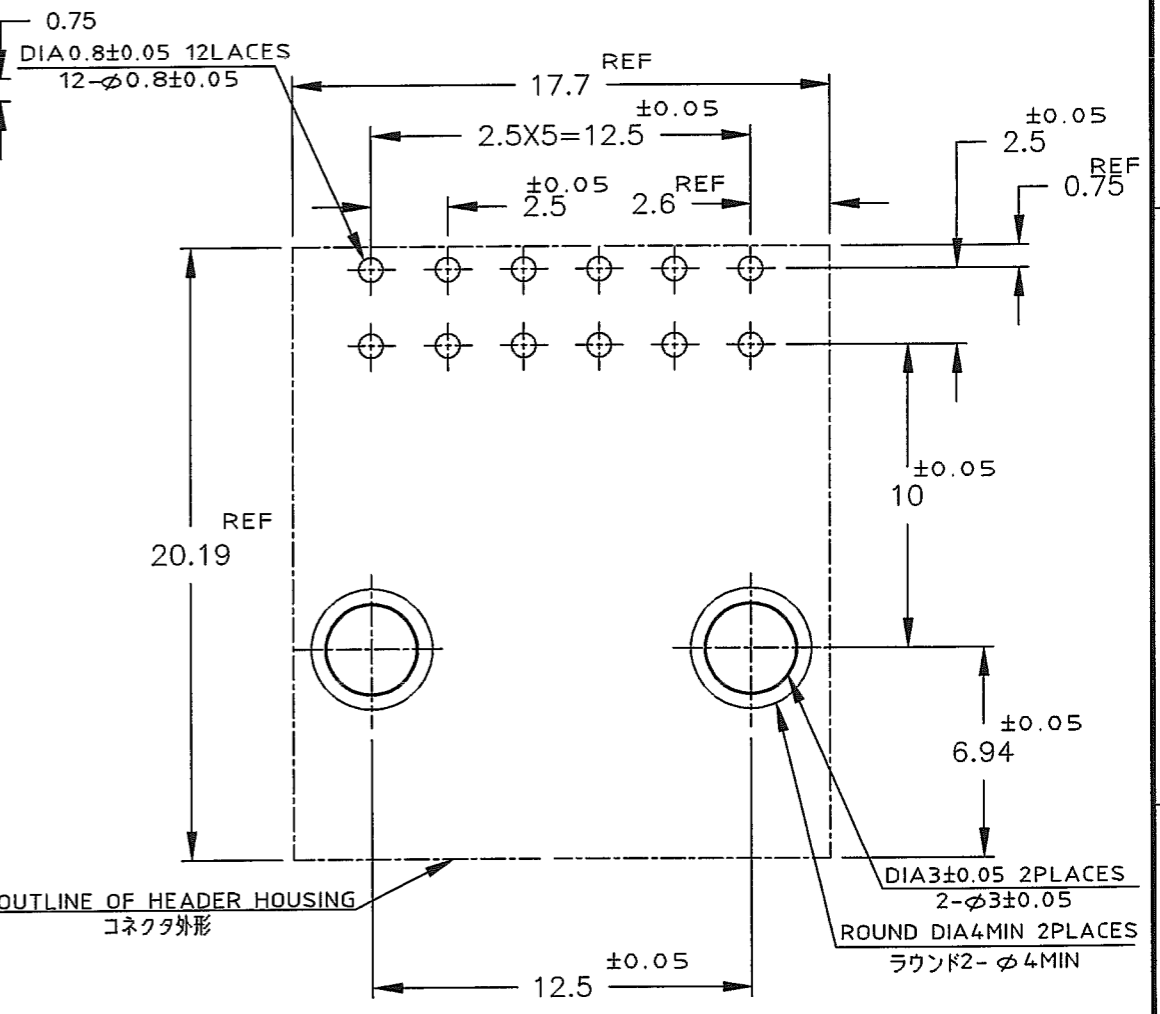
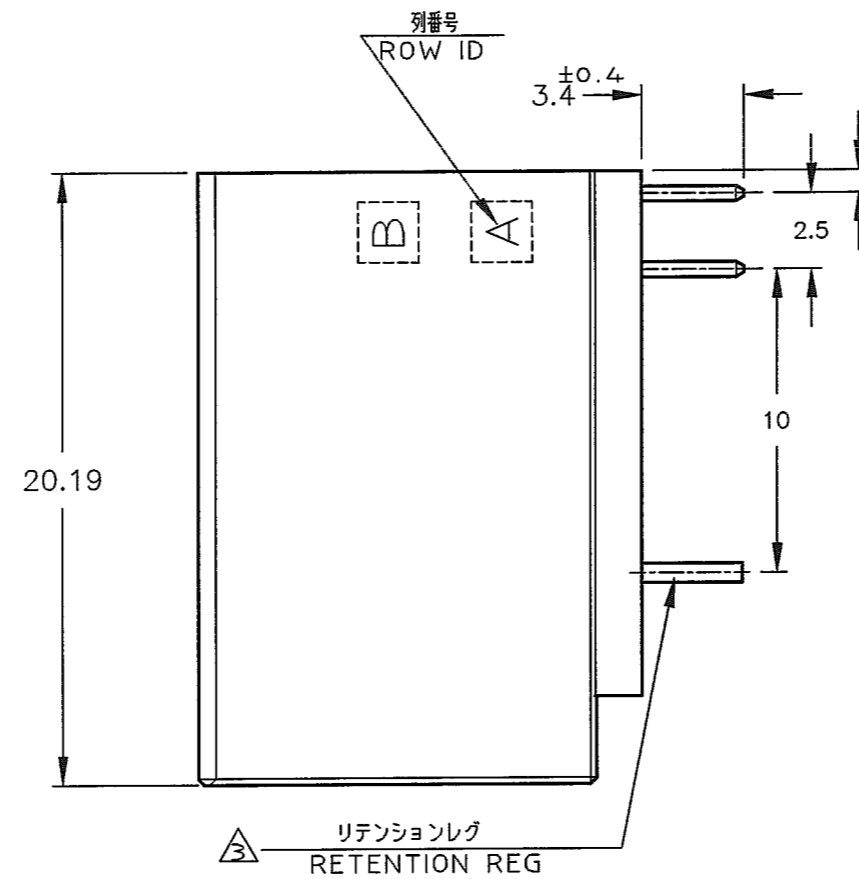
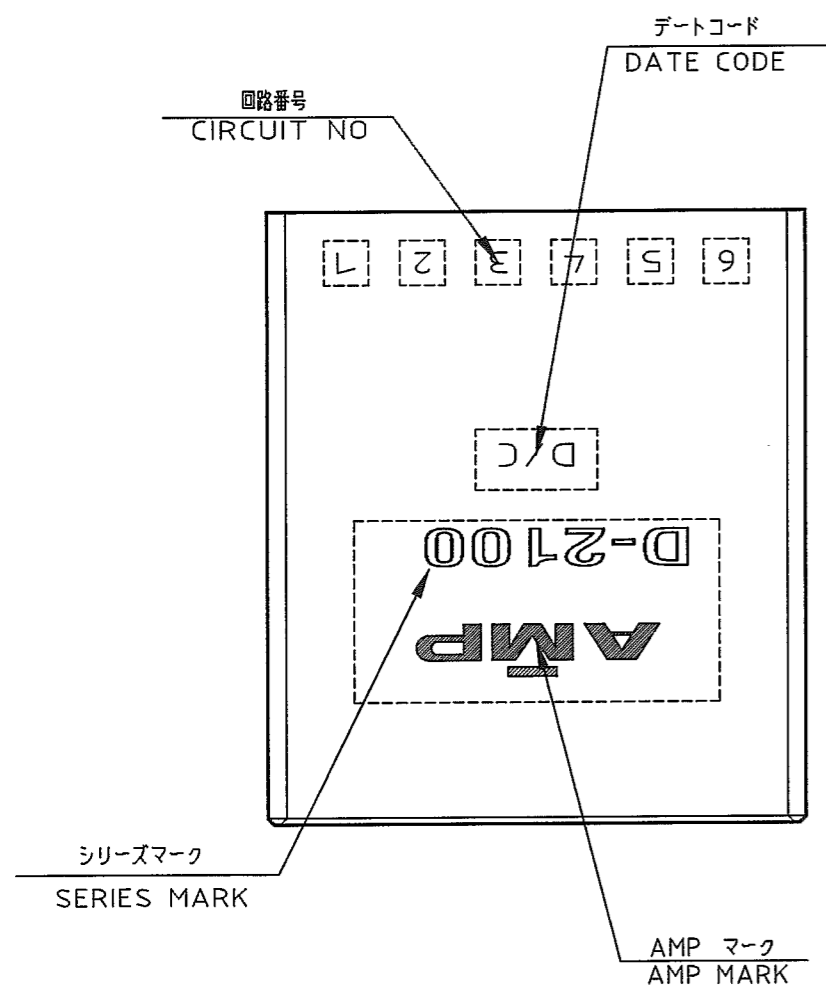
3

2

1

THIS DRAWING IS UNPUBLISHED. RELEASED FOR PUBLICATION, 1998
 © COPYRIGHT 1998 BY AMP INCORPORATED. ALL RIGHTS RESERVED.

LOC		DIST		REVISIONS						
J		ZDI		P	LTR	DESCRIPTION	ECN	DATE	DWN	APVD
				0		RELEASED	FJ00-1755-99	28FEB'00	K.I.H	I.H
				A		REVISED	FJ00-1080-00	21SEP'00	Y.K	S.M
				B		REVISED	FJD0-0039-03	6/2 '03	T.S	S.M



推奨基板取付け穴寸法公差: ±0.05
 PC 基板厚: 1.6 ± 0.3 (コネクタ搭載面)

RECOMENDED PC BOARD HOLE PATTERN (TOL: ±0.05)
 PC BOARD THICKNESS: 1.6 ± 0.3 (CONNECTOR MOUNT SIDE)

NOTES

- MATERIAL: HOUSING: GLASS FILLED THERMO PLASTIC, POLYESTER (94V-0), COLOR: BLACK
 TAB CONTACT: COPPER ALLOY
 RETENTION LEG: BRASS
- FINISH (CONTACT AREA): 0.38 μm MIN GOLD PLATING OVER Ni PLATING
- FINISH (RETENTION LEG): TIN PLATED (CONTACT TAIL) OVER NICKEL

注記

- 材料: ハウジング: ガラス入り熱可塑性ポリエステル樹脂 (94V-0), 色: 黒
 タブ コンタクト: 銅合金
 リテンション レグ: 黄銅
- めっき: コンタクト: 全面Ni下地 接触部: 0.38 μm MIN金めっき
- めっき: リテンションレグとコンタクト半田付部: ニッケル下地の上にスズめっき

THIS DRAWING IS A CONTROLLED DOCUMENT FOR AMP INCORPORATED. IT IS SUBJECT TO CHANGE AND THE CONTROLLING ENGINEERING ORGANIZATION SHOULD BE CONTACTED FOR THE LATEST REVISION.		DWN K.IKEDA 24/FEB/'00	 Tyco Electronics AMP K.K. Kawasaki, Japan
DIMENSIONS: 単位: mm		CHK Y.KATO 28/FEB/'00	
TOLERANCES UNLESS OTHERWISE SPECIFIED		APVD I.HASEGAWA 28/FEB/'00	NAME 2列 ヘッダーアセンブリー 12P (水平タイプ)
TOLERANCES UNLESS OTHERWISE SPECIFIED		PRODUCT SPEC 108-5619	DOUBLE ROW HEADER ASS'Y 12P ("H" TYPE) <DYNAMIC D-2100D>
MATERIAL 注記参照 SEE NOTES		APPLICATION SPEC 114-5258	SIZE A3
FINISH 注記参照 SEE NOTES		WEIGHT T1	CAGE CODE 00779
CUSTOMER DRAWING		DRAWING NO 1376020	RESTRICTED TO -
		SCALE 4-1	SHEET 1 OF 1
			REV B