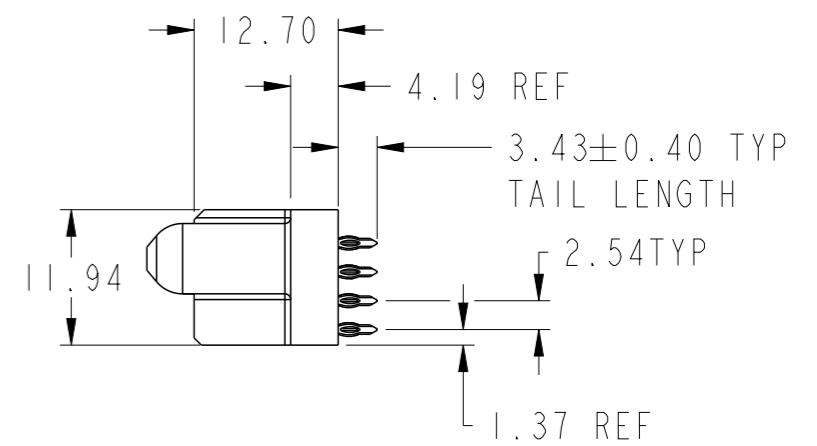
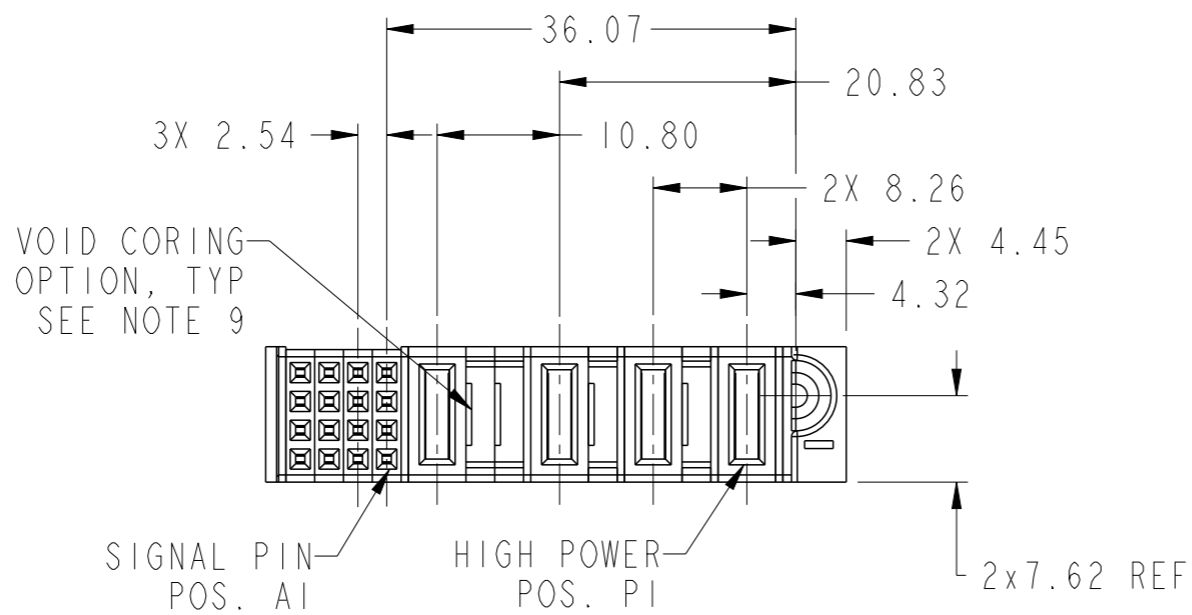
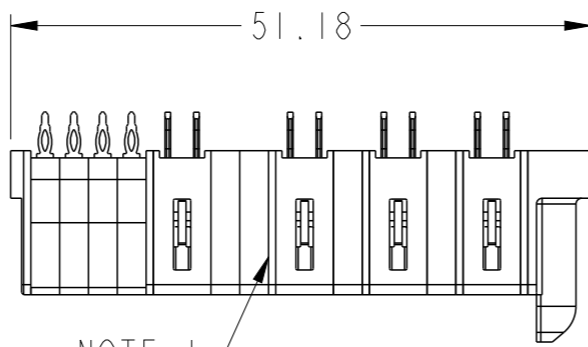
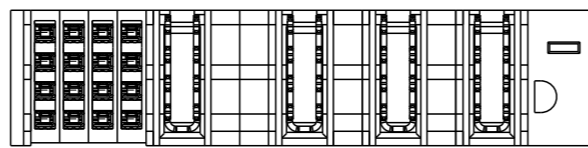


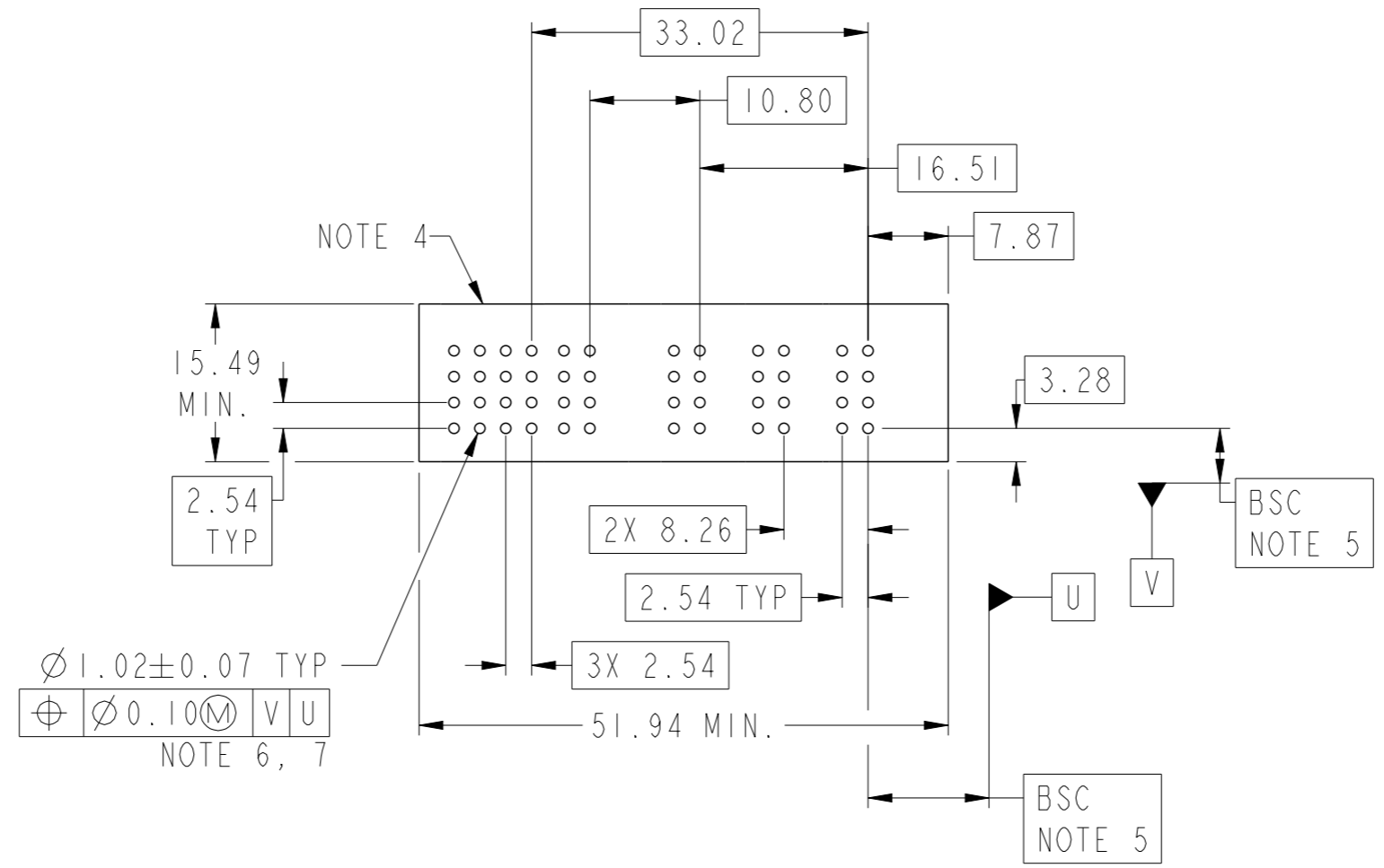
PRODUCT NUMBER SEE SHEET 2



spec ref		dr	Peng-Bing Fu	2012/12/02	projection	MM	size	A3	scale	3:2
tolerance std		eng	Xie Bob	2013/08/20			ecn no		-	
ASME Y14.5		chr	Li-He	2013/08/20			rel level		Released	
TOLERANCES UNLESS OTHERWISE SPECIFIED		appr	Pei-Ming Zheng	2013/08/20	product family		PowerBlade+		-	
surface		linear	0.X	±0.50		part no		4P + 16S		rev A
			0.XX	±0.25		dwg no		10106269-4004201		
			0.XXX	±0.10		cat. no.		Product - Customer Drw		
ASME Y14.5		angular	0°	±2°	www.fci.com		sheet 1 of 3			

PRODUCT NO.	ROWS	SIGNAL				HIGH POWER				E2
		E1	4	3	2	1	P4	P3	P2	
10106269-4004201LF	D C B A	F	F	F	F	HD	HG	HG	HG	

CODE	DESCRIPTION
F	STD SIGNAL CONTACT
HD	MFBL HIGH POWER CONTACT (3.43)
HG	STD HIGH POWER CONTACT (3.43)



dr	Peng-Bing Fu	2012/12/02	projection	MM	size	A3	scale	3:2	
eng	Xie Bob	2013/08/20		← →	ecn no	-	rel level	Released	
chr	Li-He	2013/08/20							
appr	Pei-Ming Zheng	2013/08/20	product family	PowerBlade+					
			4P + 16S		dwg no	10106269-4004201		rev	A
www.fci.com			cat. no.		Product - Customer Drw			sheet 2 of 3	



Copyright FCI.

A

B

C

D

A

B

C

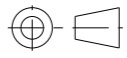
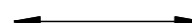

D

NOTES:

- 1) "FCI", PART NUMBER AND DATE CODE TO BE MARKED ON THIS SURFACE.  
THE MARK CAN BE OMITTED IF THERE IS NOT ENOUGH SPACE ON THIS SURFACE.
- 2) MATERIALS:  
-HOUSING - GLASS FILLED WITH HIGH TEMP THERMOPLASTIC, UL94V-0.  
-SIGNAL CONTACT - COPPER ALLOY.  
-POWER CONTACT - HIGH CONDUCTIVITY COPPER ALLOY.
- 3) PLATING SPECIFICATION REFER TO FCI 10123565
- 4) DENOTES CONNECTOR KEEP OUT ZONE.
- 5) DATUM AND BASIC DIMENSIONS WERE ESTABLISHED BY CUSTOMER.
- 6) ALL HOLE DIAMETERS ARE FINISHED HOLE SIZES.
- 7)  $1.15 \pm 0.025$ MM DRILLED HOLE PLATED WITH 0.00762MM MIN Sn  
OVER 0.0254-0.0762MM Cu PLATING TO ACHIEVE A  $1.02 \pm 0.07$ MM HOLE.
- 8) PRODUCT SPECIFICATION REFER TO FCI GS-12-658.  
APPLICATION SPECIFICATION REFER TO FCI GS-20-141.  
PRODUCT PACKAGED IN TRAYS, REFER TO FCI GS-14-1502.
- 9) THE VOID CORING IN BETWEEN POWER MODULES, SIGNAL  
MODULES AND END MODULES ARE OPTIONAL AND THE SHAPE  
MAY BE DIFFERENT FOR OPTIMIZE THE MOLDING PROCESS. THE  
VOID CORING WILL NOT EFFECT TO PRODUCT FUNCTION.



Copyright FCI.

dr	Peng-Bing Fu	2012/12/02	projection 	MM 	size	A3	scale	1:1
eng	Xie Bob	2013/08/20			ecn no	-		
chr	Li-He	2013/08/20			product family	PowerBlade+	rel level	Released
appr	Pei-Ming Zheng	2013/08/20						
		title 4P + 16S VT PF RECEPTACLE		dwg no 10106269-4004201	rev A			
<a href="http://www.fci.com">www.fci.com</a>		cat. no.	Product - Customer Drw		sheet 3 of 3			