

# Customer Information Sheet

DRAWING No.: M80-5T10805MI-04-331-00-000

SHEET 2 OF 2

IF IN DOUBT - ASK

©

NOT TO SCALE

THIRD ANGLE PROJECTION

ALL DIMENSIONS IN mm

## SPECIFICATIONS:

### MATERIAL:

MOULDING: GLASS FILLED PPS,  
UL94V-0, BLACK

SIGNAL CONTACT: PHOSPHOR BRONZE

POWER CONTACT: COPPER ALLOY

JACKSCREW: STAINLESS STEEL

### FINISH:

SIGNAL CONTACT:

0.75µ GOLD

POWER CONTACT: GOLD

### ELECTRICAL:

WORKING VOLTAGE = 800V AC/DC

VOLTAGE PROOF = 1200V AC/DC

INSULATION RESISTANCE = 100MΩ MIN

SIGNAL CONTACT:

CURRENT RATING AT 25°C = 3.0A MAX

CURRENT RATING AT 85°C = 2.2A MAX

CONTACT RESISTANCE = 25 mΩ MAX

POWER CONTACT:

CONTACT RESISTANCE 6 mΩ MAX

CURRENT RATING = 20A MAX

### MECHANICAL:

DURABILITY = 500 OPERATIONS

SIGNAL CONTACT:

INSERTION FORCE = 2.8N MAX

WITHDRAWAL FORCE = 0.2N MIN

POWER CONTACT:

INSERTION FORCE = 8N MAX

WITHDRAWAL FORCE = 0.5N MIN

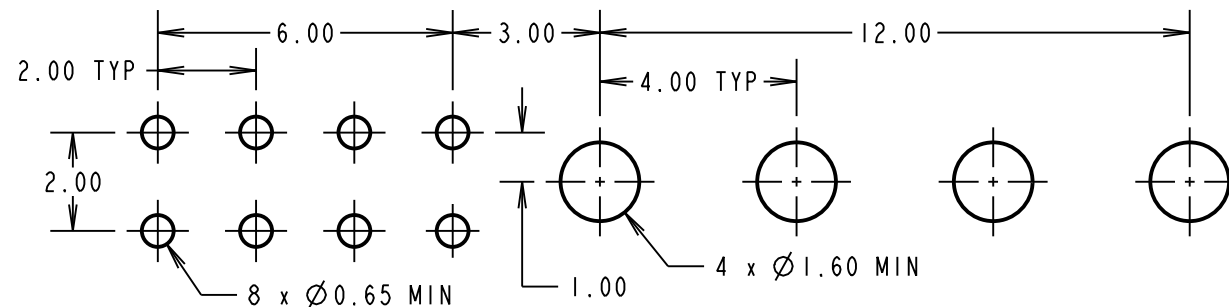
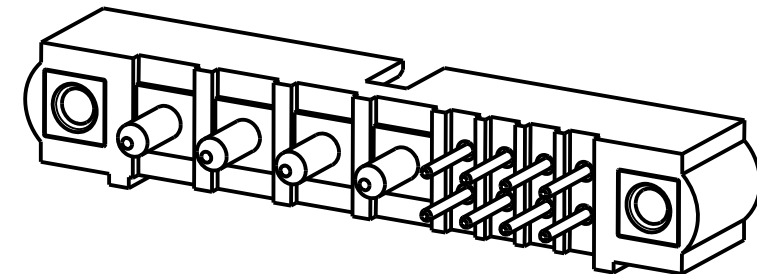
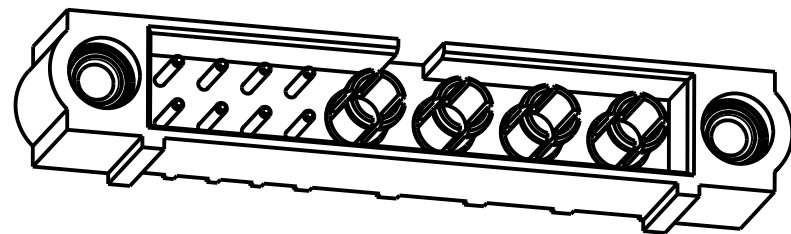
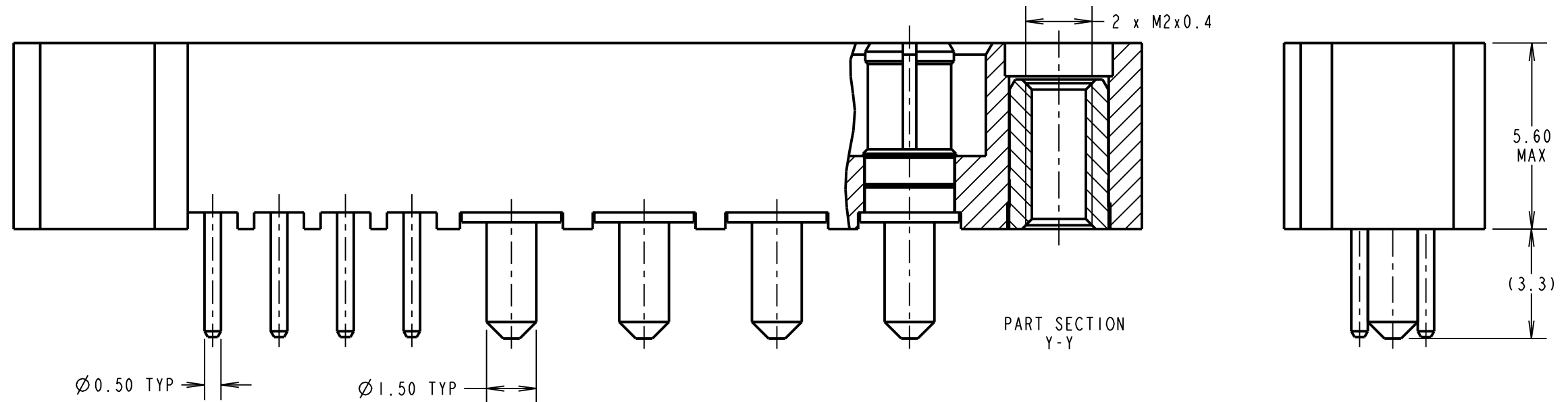
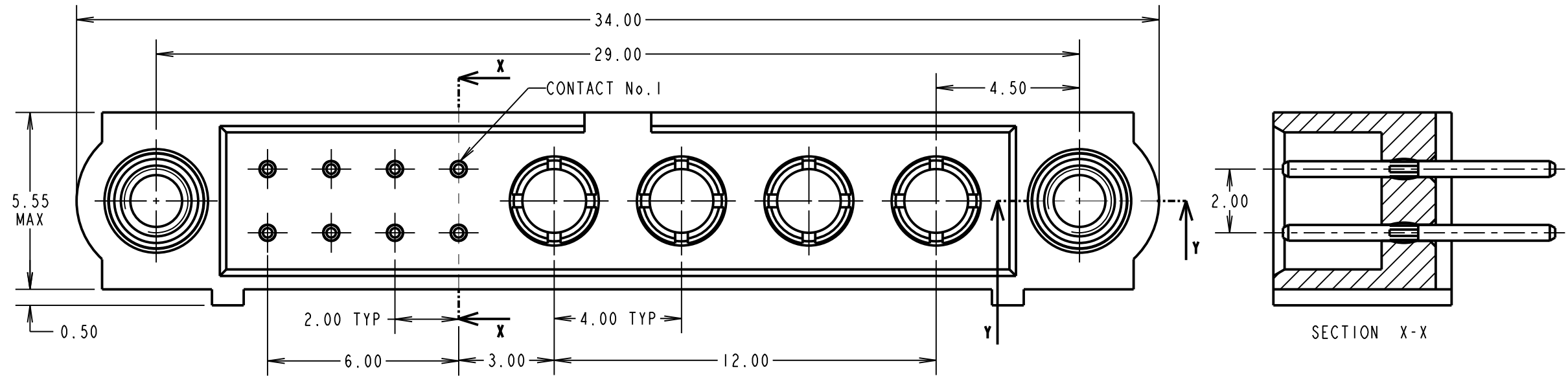
### ENVIRONMENTAL:

TEMPERATURE RANGE = -55°C TO +125°C

### PACKING:

TUBE

FOR COMPLETE SPECIFICATION SEE COMPONENT  
SPECIFICATION C005XX (LATEST ISSUE)



RECOMMENDED PCB LAYOUT

MGP	2	28.01.13	11898
NAME	ISS.	DATE	C/NOTE
APPROVED: MGP			
CHECKED: SB			
DRAWN: R. ADDE			
CUSTOMER REF.:			
ASSEMBLY DRG:			

# HARWIN

www.harwin.com  
technical@harwin.com

THIS DRAWING AND ANY  
INFORMATION OR DESCRIPTIVE  
MATTER SET OUT HEREON ARE  
CONFIDENTIAL AND COPYRIGHT  
PROPERTY OF THE HARWIN  
GROUP AND MUST NOT BE  
DISCLOSED, LOANED, COPIED  
OR USED FOR MANUFACTURING,  
TENDERING OR FOR ANY  
OTHER PURPOSE WITHOUT  
THEIR WRITTEN PERMISSION.

### TOLERANCES

X. = ±1mm  
X.X = ±0.25mm  
X.XX = ±0.10mm  
X.XXX = ±0.01mm  
ANGLES = ±5°  
UNLESS STATED

### MATERIAL:

SEE ABOVE

### FINISH:

SEE ABOVE

### S/AREA:

mm<sup>2</sup>

### TITLE:

DATAMATE MIX-TEK  
MALE ASSEMBLY  
WITH JACKSCREW

### DRAWING NUMBER:

M80-5T10805MI-04-331-00-000

### SHT

2 OF 2