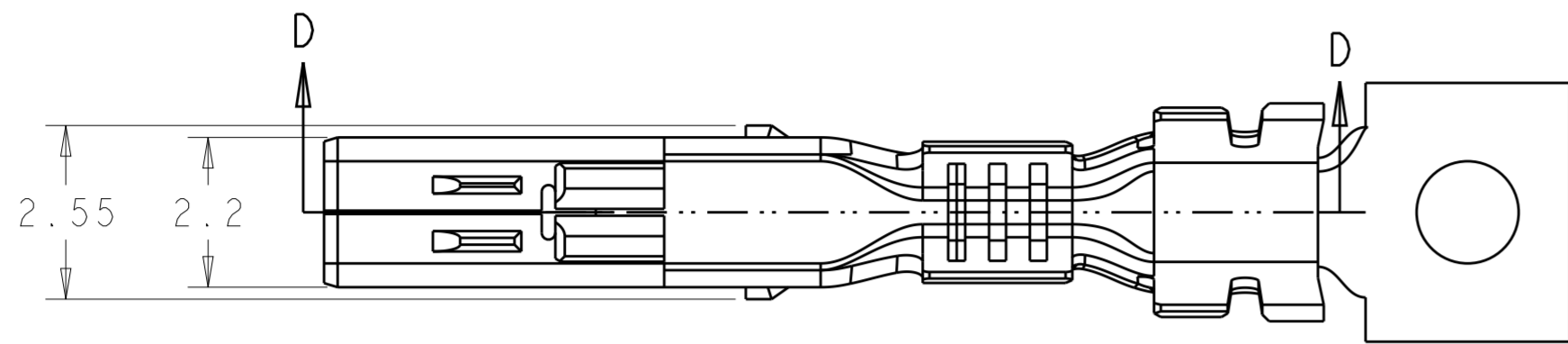
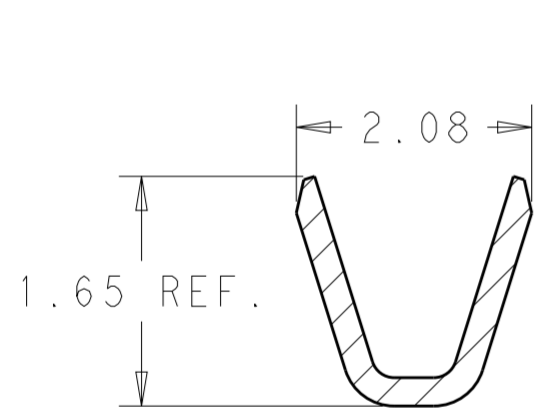
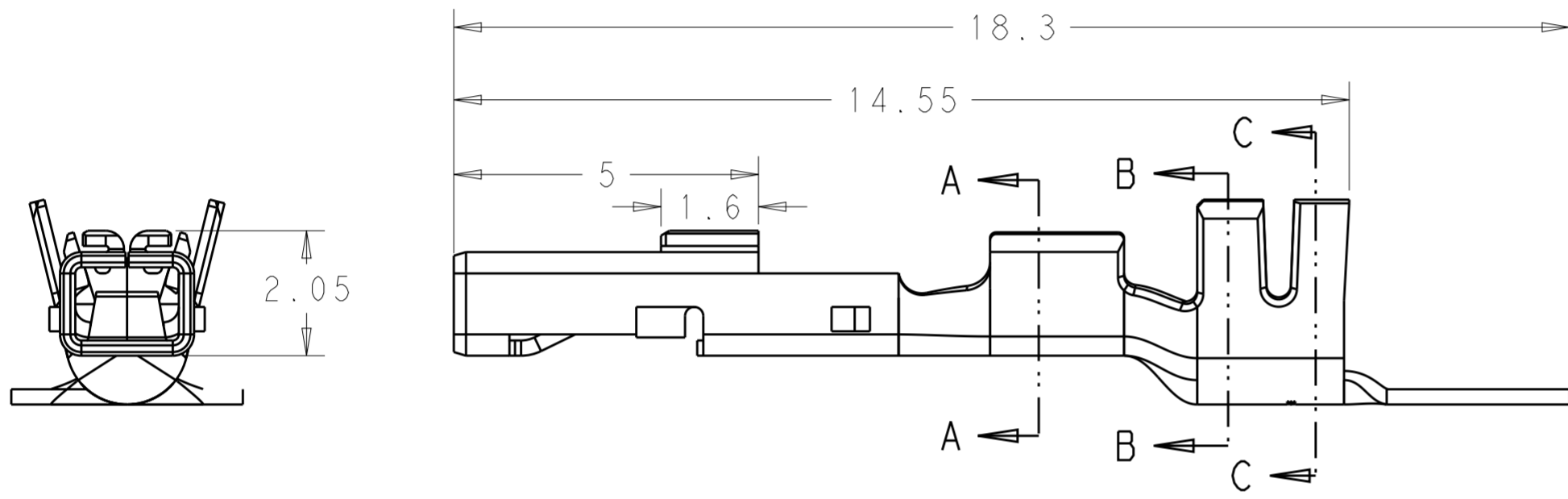


THIS DRAWING IS UNPUBLISHED. RELEASED FOR PUBLICATION
 © COPYRIGHT copyright.d8te- ALL RIGHTS RESERVED.

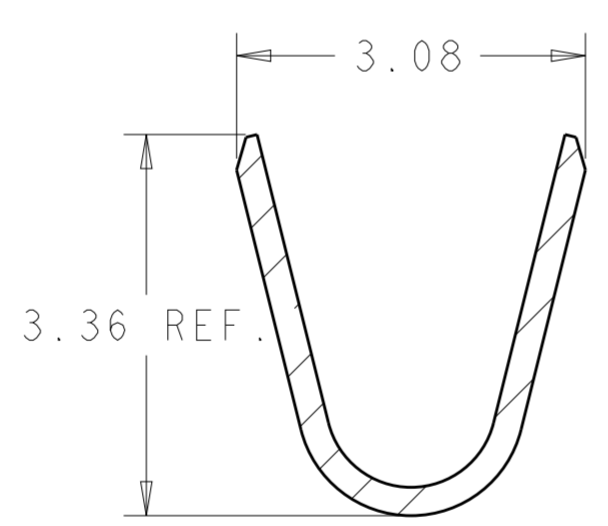
REVISIONS				
P	LTR	DESCRIPTION	DATE	APVD
B		REVISED PER ECR-17-006906	09OCT17	N.L D.Z



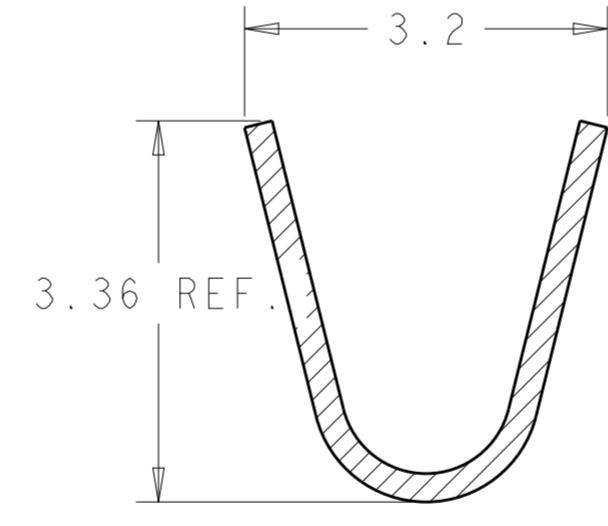
1. MATERIAL: COPPER ALLOY, PRE-TIN.
2. WIRE RANGE: 0.14-0.34mm² [26-22 AWG] STRANDED.
3. INSULATION RANGE: 1.3~2.0.



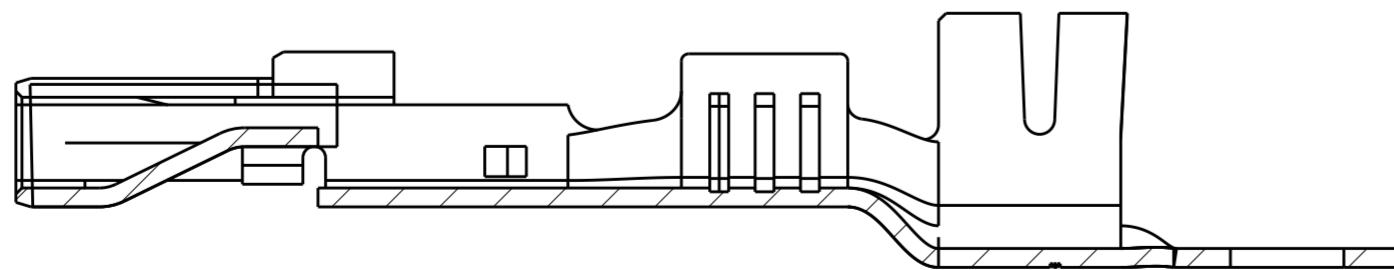
SECTION A-A
SCALE 15:1



SECTION B-B
SCALE 15:1



SECTION C-C
SCALE 15:1



SECTION D-D
SCALE 10:1

2232902-1
PART NUMBER

THIS DRAWING IS A CONTROLLED DOCUMENT.		DWN QITO CHEN 25FEB2016	TE Connectivity	
DIMENSIONS: mm		CHK DANIEL 28FEB2016		
TOLERANCES UNLESS OTHERWISE SPECIFIED:		APVD DANIEL 28FEB2016	PRODUCT SPEC 108-5410	SIZE A2
0 PLC ±0.50		APPLICATION SPEC 114-5175	CAGE CODE -	DRAWING NO C-2232902
1 PLC ±0.40		WEIGHT -	RESTRICTED TO -	SCALE N/A
2 PLC ±0.30		CUSTOMER DRAWING	SHEET 1	OF 1
3 PLC ±			REV B	
4 PLC ±				
ANGLES ±				
FINISH ±				