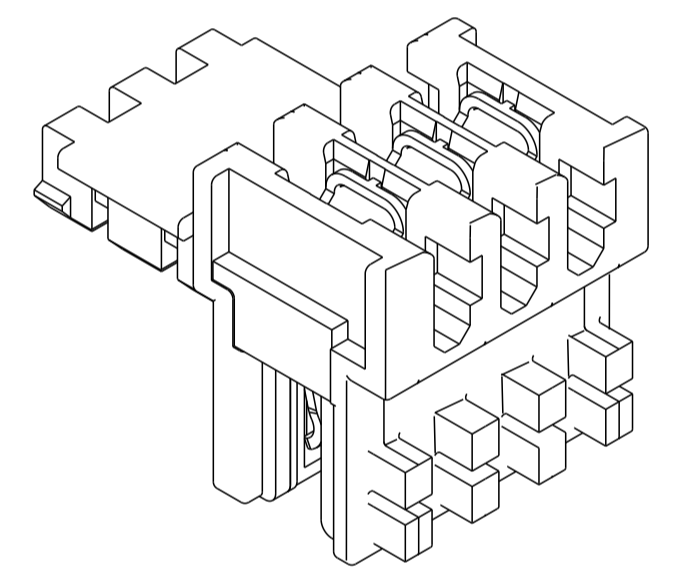
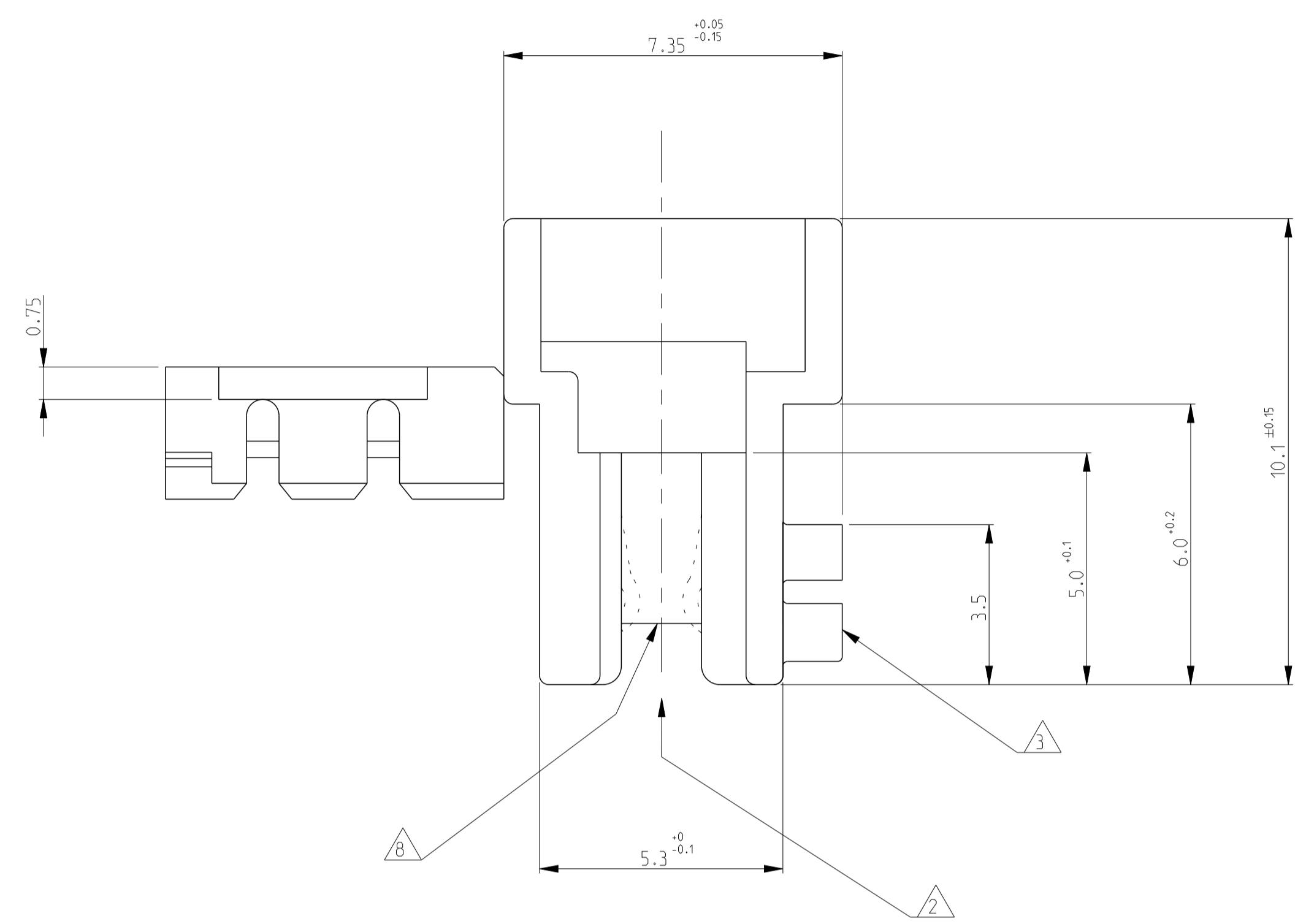
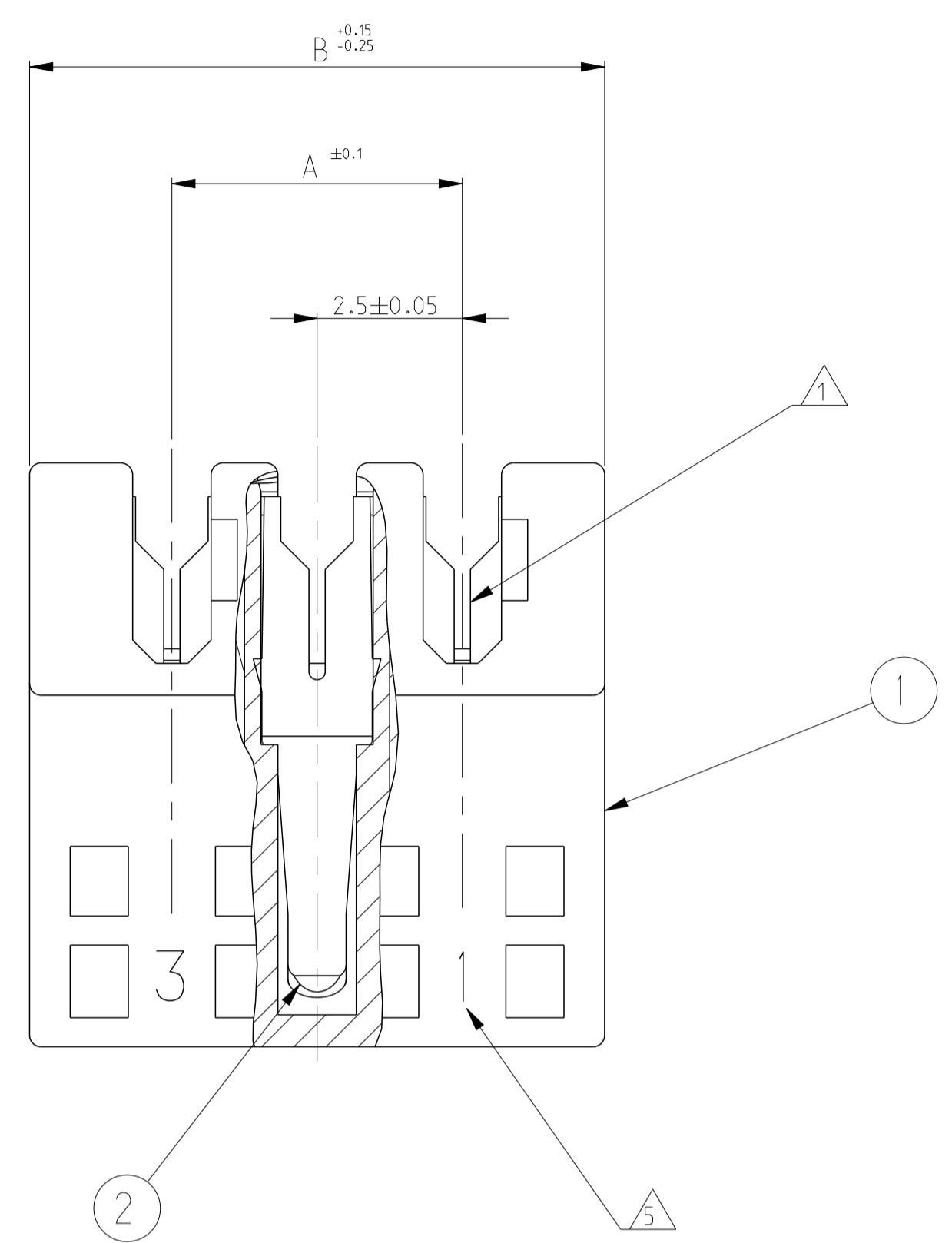
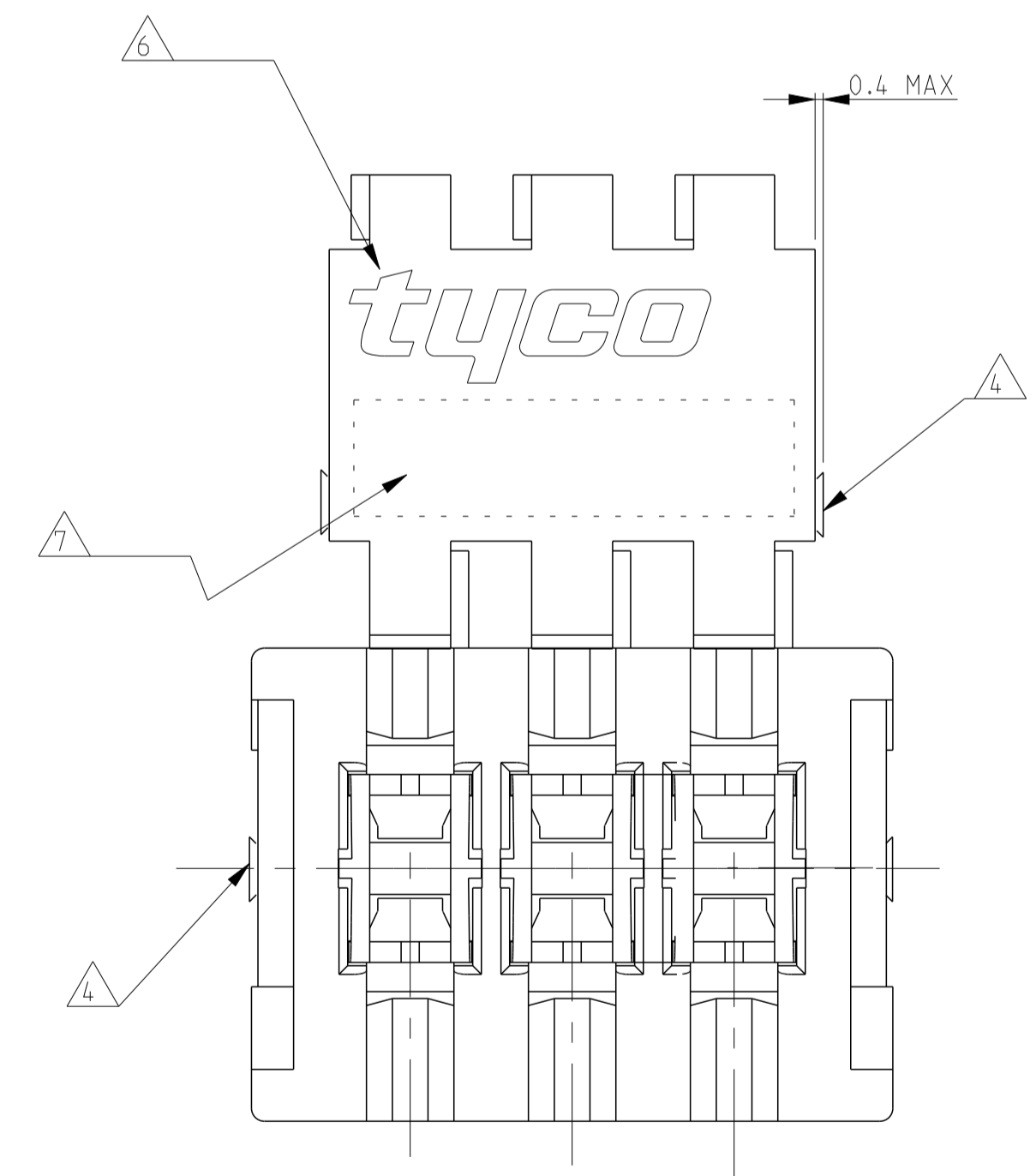


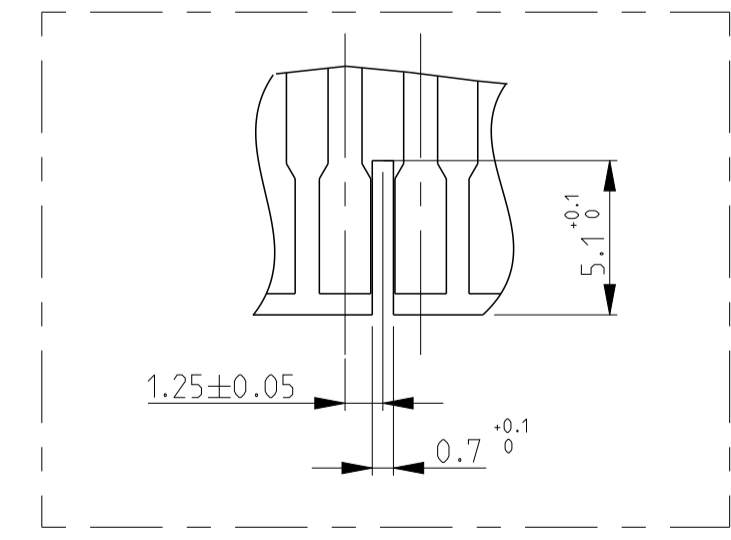
LOC		DIST		REVISIONS			
P	LTN	DESCRIPTION	DATE	DMN	APVD		
A15		REVISED PER ECR-15-012073	13AUG2015	NK	W W		
A17		ECR-16-016334	17NOV2016	FV	RR		



SCALE 5:1



- 1 WIRE RANGE : STRANDED 0.22-0.35 mm² (INS. DIA. 1.30±0.1)
- 2 MATING PART: TAB HEADER P/N 829866;
PCB FRAME P/N 964575 (PCB THK 1.5±0.14 COPPER CLADDING INCLUDED)
SEE PRODUCT SPEC. 108-18056 FOR FRAME APPLICATION
- 3 KEYING RIBS TO BE REMOVED BY TERMINATION MACHINE
- 4 CUT OFF DIMENSION DUE TO PRODUCTION PROCESS
- 5 CIRCUIT No. IDENTIFICATION
- 6 TE TRADEMARK (OPTIONAL POSITION)
- 7 TAMPOGRAPHIC COLOUR CODE AREA (P/Ns IDENTIFICATION BEFORE CRIMPING)
- 8 POLARIZATION RIB BETWEEN CAVITIES.
(SEE BELOW TYPICAL POLARIZATION CUTOFF ON PCB)



- 10 X - CAVITY LOADED WITH CONTACT
O - CAVITY WITHOUT CONTACT
- 11 PBT GF
- 12 PBT GF, GWPEPT 750 NO-FLAME, NATURAL

9 PRELIMINARY PART NOT RELEASED FOR PRODUCTION.

P/N 0-284932-3 AS SHOWN

COLOUR CODE	11	10	9	8	7	6	5	4	3	2	1	POLARIZ. RIB	HSG POS	DIM.A	DIM.B	TE P/N	TE P/N
BLACK												2/3	13	30.0	34.9	4-284932-3	1-2311501-3 (A1)
GREEN				X	X	0	X	0	X			4/5	6	12.5	17.4	3-284932-6	2311505-6
BLUE																1-284932-6	4-2311500-6
BLACK												9/10	11	25.0	29.9	1-284932-1	1-2311501-1
BLACK												7/8	10	22.5	27.4	1-284932-0	2-2311500-0
BLACK												2/3	9	20.0	24.9	0-284932-9	2311500-9
BROWN												2/3	8	17.5	22.4	2-284932-8	3-2311500-8
BLACK												1/2 and 7/8	8	17.5	22.4	0-284932-8	2-2311500-8
RED												2/3	7	15.0	19.9	0-284932-7	1-2311500-8
BLACK												1/2	6	12.5	17.4	2-284932-6	3-2311500-6
RED												2/3	6	12.5	17.4	0-284932-6	2-2311500-6
RED												4/5	5	10.0	14.9	3-284932-5	5-2311500-5
GREEN												3/4	5	10.0	14.9	2-284932-5	4-2311500-5
BROWN												2/3	5	10.0	14.9	4-284932-5	3-2311500-5
BLACK												2/3	5	10.0	14.9	0-284932-5	2-2311500-5
BLACK												3/4	4	7.5	12.4	2-284932-4	4-2311500-4
BROWN												1/2	4	7.5	12.4	0-284932-4	3-2311500-4
RED												2/3	3	5.0	9.9	3-284932-3	6-2311500-3
GREEN												2/3	3	5.0	9.9	2-284932-3	5-2311500-3
BLACK												1/2	3	5.0	9.9	0-284932-3	4-2311500-3

-		-		-		THIS DRAWING IS A CONTROLLED DOCUMENT.		DMN R. FABRIS 27/FEB2004		CHK -		APVD E. TURCO 27/FEB2004		NAME		DUOPLUG 2.5 FEMALE CONNECTOR STANDARD VERSION, KEYED (FULLY LOADED)		
SEE TABLE	PH. BRONZE, TIN PLATED	IDC RECEPTACLE CONTACT	2	DIMENSIONS: mm	TOLERANCES UNLESS OTHERWISE SPECIFIED:	0 PLC ±0.2	1 PLC ±0.2	2 PLC ±0.2	3 PLC ±0.2	4 PLC ±	ANGLES ±	FINISH	116-18049-1	WEIGHT	SCALE	10:1	SHEET 1 OF 1	REV A17
Q.TY	MATERIAL	DESCRIPTION	ITEM	MATERIAL SEE TABLE		CUSTOMER DRAWING		SIZE		CAGE CODE		DRAWING NO		RESTRICTED TO				
1		REVISIONE DELL'ASSEMBLATO (REVISION OF EACH ASSY NO)		ELENCO DEI COMPONENTI (PARTS LIST)		SCALE		10:1		SHEET		1 OF 1		REV A17				