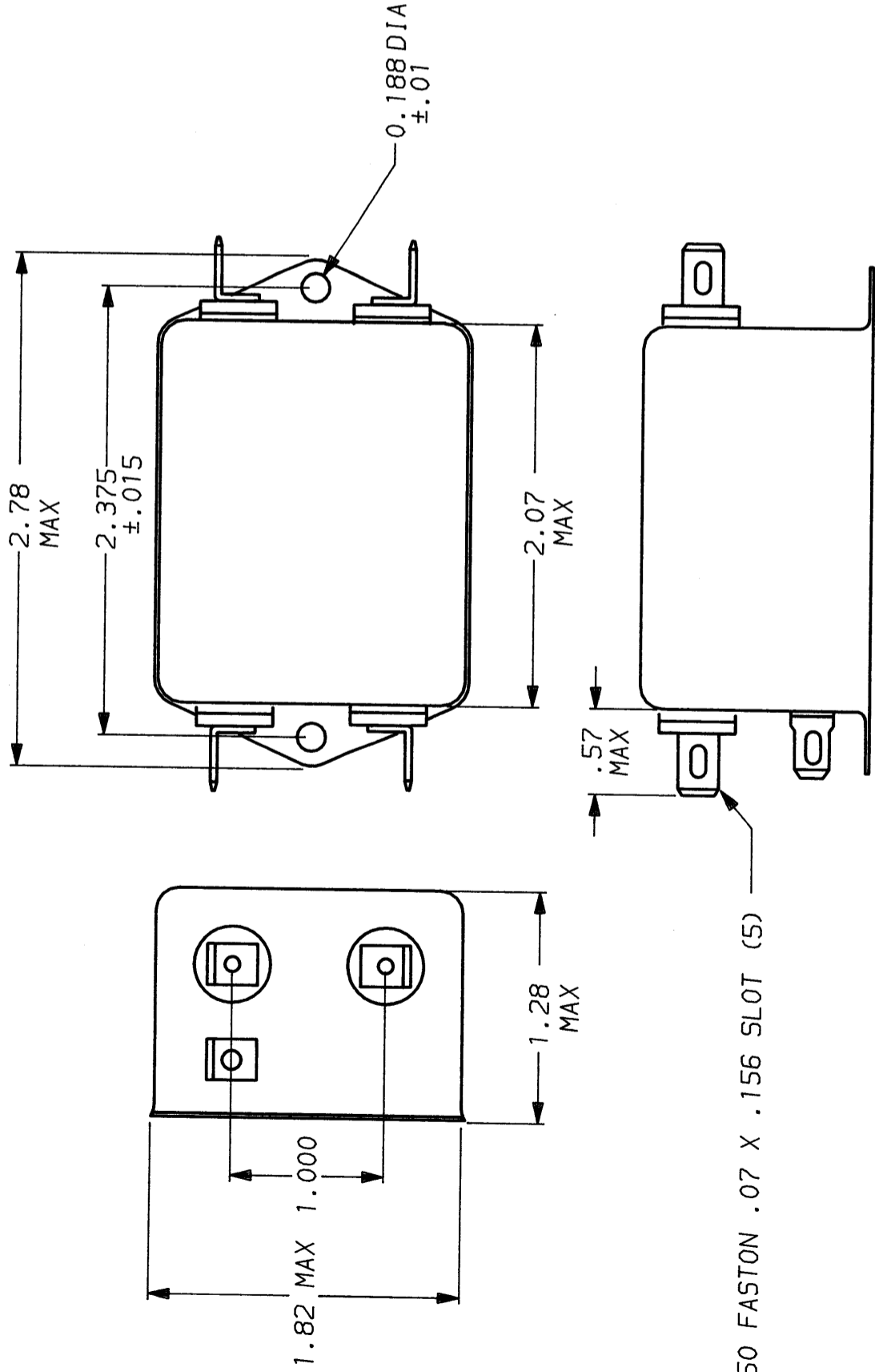


SAFETY ORGANIZATION(S):

UL RECOGNIZED

UL 1283



OPERATING SPECIFICATIONS:

3.0 AMP., 120/250 VAC

50-60Hz

40°C

0.5mA at 120V 60 Hz

.83 mA at 250V 50 Hz

-10°C TO +40°C @ RATED CURRENT, I_r

IN AN AMBIENT, T_a, HIGHER THAN 40°C, THE MAXIMUM OPERATING CURRENT, I_o, IS AS FOLLOWS:

$$I_o = I_r \sqrt{\frac{85 - T_a}{45}}$$

RELIABILITY SPECIFICATIONS:

STORAGE TEMPERATURE:

-40°C TO +85°C

HUMIDITY:

21 DAYS @ 40°C 95% RH

CURRENT OVERLOAD TEST:

6 TIMES RATED CURRENT FOR 8 SECONDS

TEST SPECIFICATIONS:

INDUCTANCE:

1.05 mH NOMINAL

CAPACITANCE: (MEASURED @ 1 KHz, 0.25 VAC MAX., 25°C ±1°C)

.011µF ±20%

.543µF ±20%

330 KΩ

6000 MΩ (MIN) AT 100 VDC

20°C AND 50% RH

DISCHARGE RESISTOR:

LINE/GROUND AND LINE/LINE

INSULATION RESISTANCE

(W/O DISCHARGE RESISTOR)

RECOMMENDED RECEIVING INSPECTION HIPOUT:

LINES TO GROUND:

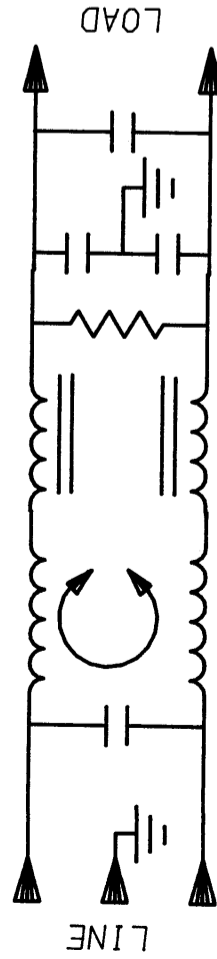
2250 VDC FOR 1 MINUTE

LINE TO LINE:

1450 VDC FOR 1 MINUTE

FILTER APPROVAL:

THE BEST WAY TO SELECT AND QUALIFY A FILTER IS FOR YOUR ENGINEERING TO TEST THE UNIT IN YOUR EQUIPMENT.



50Ω - 50Ω (MINIMUM) INSERTION LOSS

FREQUENCY MHz	.15	.5	1	2	5	10	20	30
COMMON dB	13	28	37	45	54	52	47	55
DIFF. dB	40	65	65	65	55	50	45	50

This document is proprietary to CORCOM INC. and is not to be reproduced nor used for manufacturing purposes except on CORCOM's order or prior written consent.

TOLERANCE EXCEPT AS NOTED

DECIMAL: .XXX .XX .X ANGLES ± 1°

ENGLISH: ±.025

METRIC: ±

MATERIAL:

AS SUPPLIED

FINISH:

AS SUPPLIED

CORCOM
 LIBERTYVILLE, IL 60048

POWER LINE FILTER

SCALE: NTS DATE: 7-31-90
 DRW. BY: CFW ORIGINATOR: CFW

DRG. NO. 351A.03 REV. 3