

MODEL:

# SR24UBFFD

## SmartRack® 24U Standard-Depth Rack Enclosure Cabinet for Harsh Environments



24 Rack Units



1000 lb.  
Load Rating



Accommodates  
Standard  
19-inch  
Equipment



Dust, Drip and  
Splash Protection



Heavy-Duty  
Casters



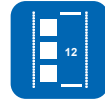
Louvered Door  
for Drip-Resistant  
Ventilation



8 Fans for  
Superior Airflow



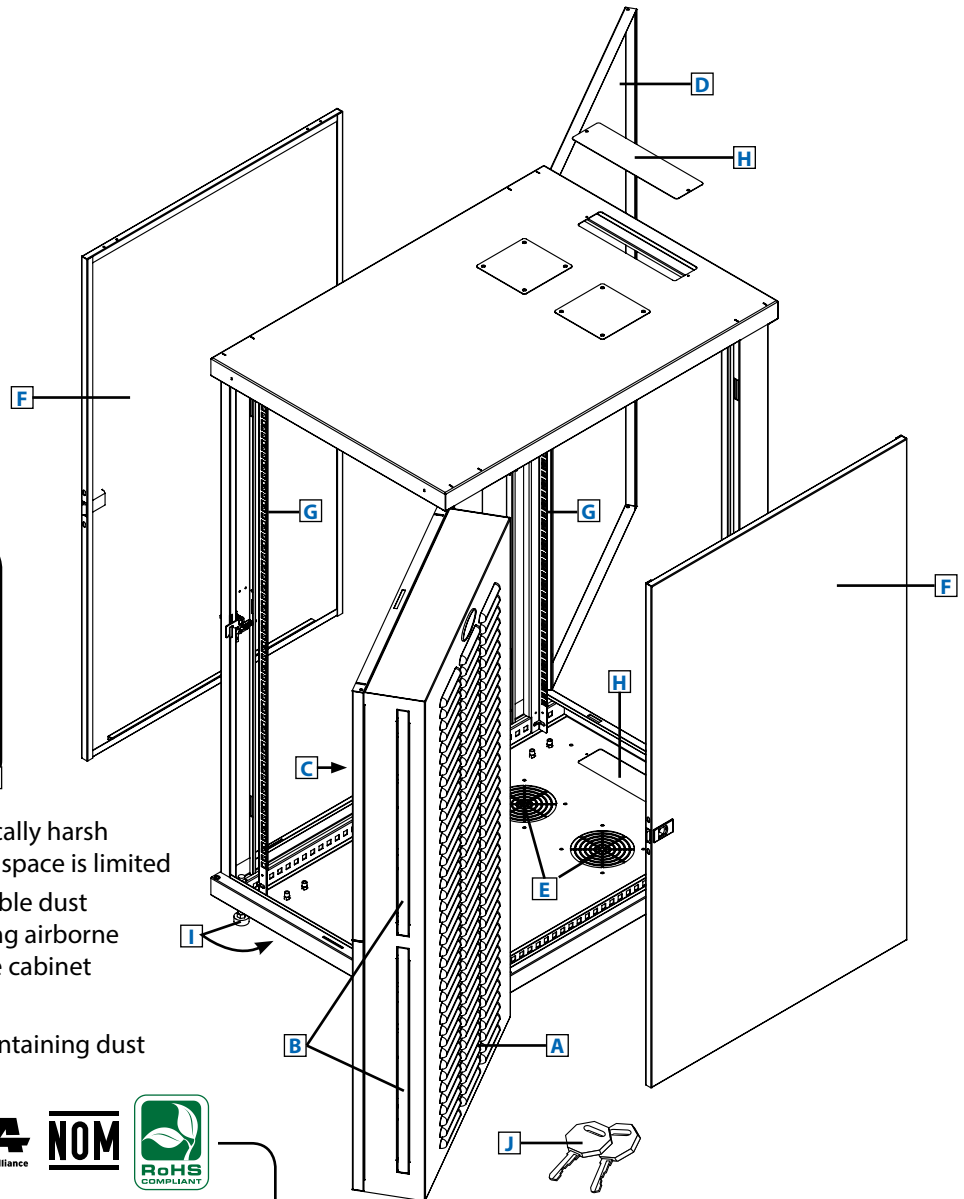
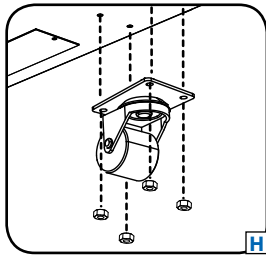
Replaceable  
Dust Filters



Square Hole  
Mounting

- A** Louvered Front Door (Lockable)
- B** Dust Filters (2)
- C** High-Performance Intake Fans (8)  
(Integrated into Front Door.)
- D** Rear Door (Lockable)
- E** Ventilation Fan Ports
- F** Side Panels  
(Lockable/Removable)
- G** Adjustable Mounting Rails with  
Easy-View Depth Index
- H** Dust and Drip-Resistant Cable Ports
- I** Heavy-Duty Casters (4) and Levelers (4)
- J** Keys (For Doors and Side Panels)

Also Includes: Owner's Manual, C13 to 5-15P power cord and rack-mount equipment mounting hardware (50 cage nuts, 50 mounting screws, 50 nylon cup washers)



- 24U floor rack enclosure cabinet for physically harsh working environments where networking space is limited
- Louvered front door with built-in replaceable dust filters maintains clean airflow by preventing airborne contaminants from entering the enclosure cabinet
- 8 high-performance intake fans
- 2 cable ports allow cable access while maintaining dust and moisture resistance

### Specifications

|                                 |   |
|---------------------------------|---|
| Model                           | SR24UBFFD   |
| Rack Spaces                     | 24U   |
| Equipment Mounting Depth        | 32.5 in. / 826 mm   |
| Load Rating*                    | 1000 lb. / 453 kg   |
| Unit Dimensions (H x W x D)     | 46.8 x 23.6 x 38.5 in. / 1189 x 599 x 978 mm                            |
| Shipping Dimensions (H x W x D) | 51.32 x 25.00 x 39.57 in. / 1304 x 635 x 1005 mm                        |
| Unit Weight                     | 209.43 lb. / 95 kg  |
| Shipping Weight                 | 242.50 lb. / 110 kg   |
| Standards                       | Meets EIA-310-E, IEC 60297-3-100, IP54, NOM (Mexico) and RoHS standards |

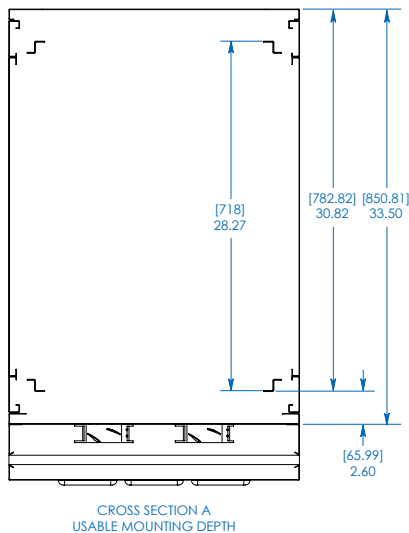
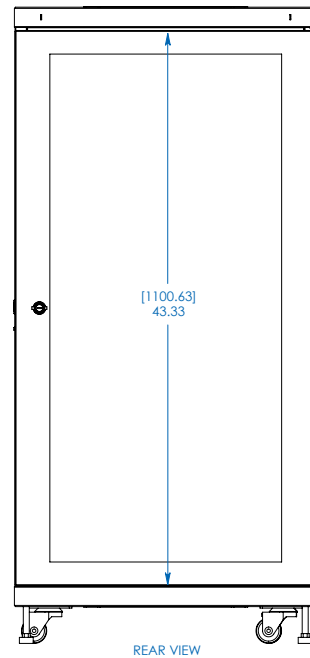
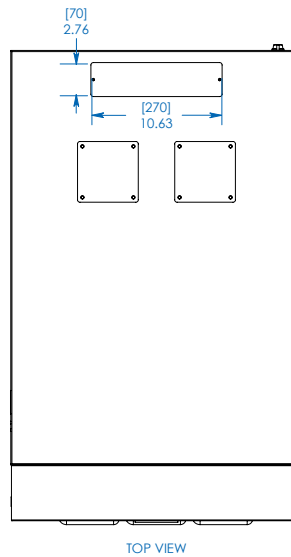
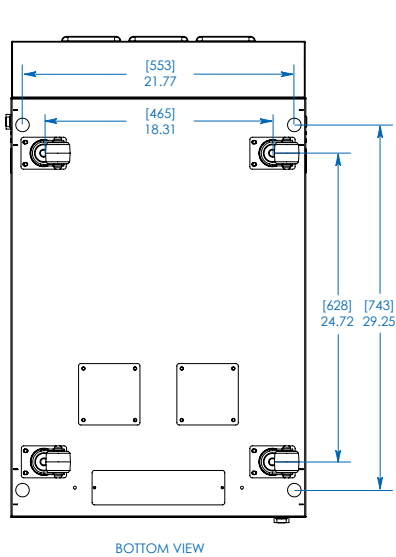
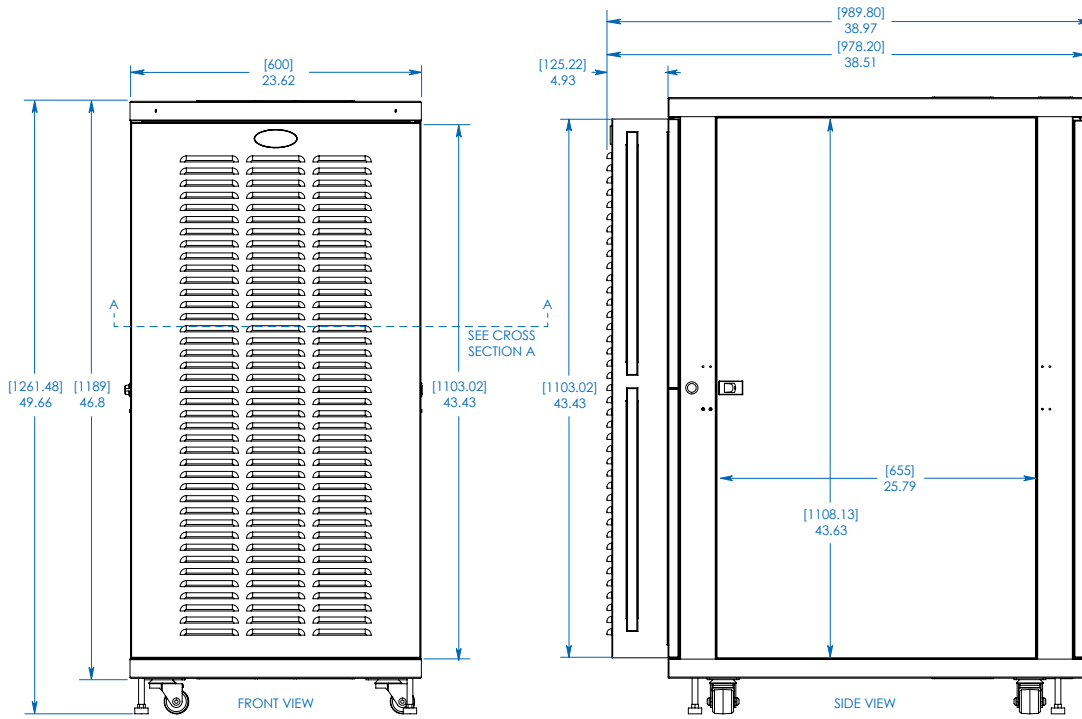
\* The load rating includes the combined weight of the unit and installed equipment. The unit must be mounted to a stable surface with user-supplied anchors capable of bearing the full load.



SEE NEXT PAGE FOR DETAILED UNIT MEASUREMENTS



1111 W. 35th Street  
Chicago, IL 60609 USA  
773.869.1234  
www.tripplite.com



MODEL:  
**SR24UBFFD**

**TRIPP-LITE**

1111 W. 35th Street  
Chicago, IL 60609 USA  
773.869.1234  
www.tripplite.com

Dimensions: [mm] INCHES

Tripp Lite has a policy of continuous improvement. Specifications are subject to change without notice.