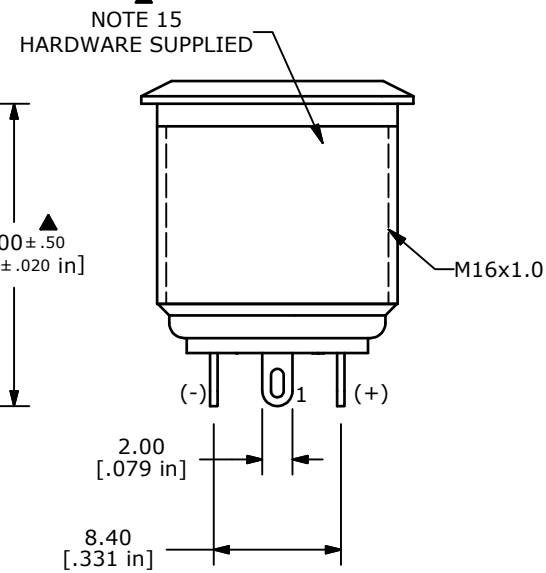
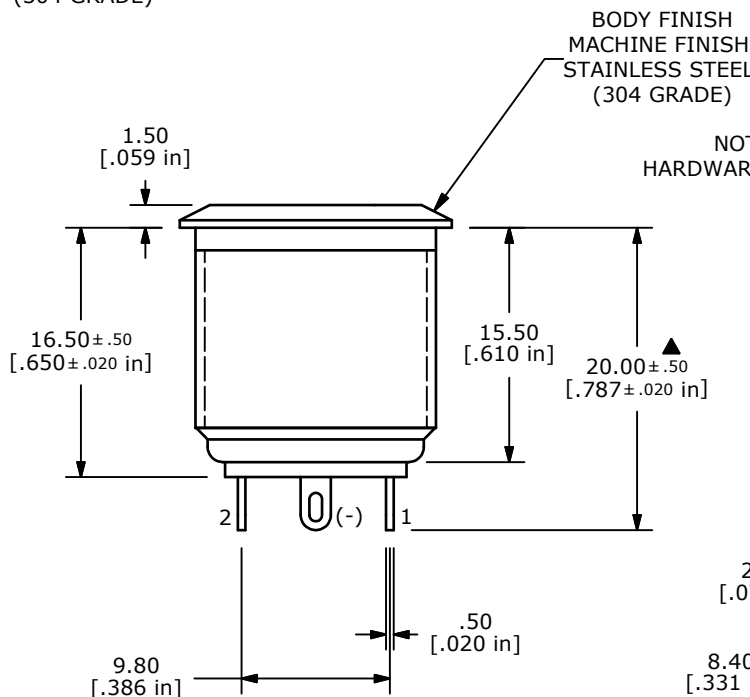
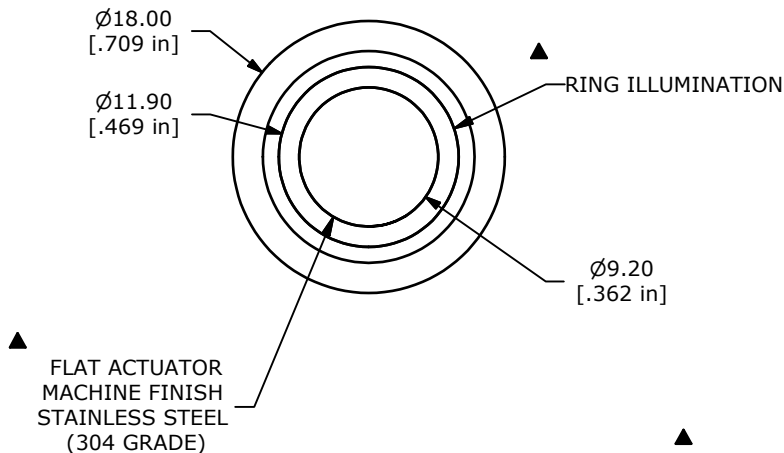
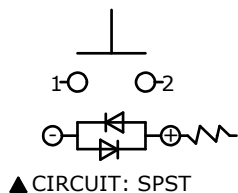


SWITCH FUNCTION	
POS. 1	POS. 2
OFF	(ON)
OPEN	1-2

(ON) = MOMENTARY



- NOTE:
- ALL DIMENSIONS IN MM [INCH]
 - GENERAL TOLERANCE: X.X=±0.4
X.XX=±0.25
 - TERMINAL NUMBERS FOR REF ONLY
 - CONTACT MATERIAL: GOLD OVER SILVER PLATED COPPER (AgCdO)
 - RATING: 0.4VA MAX. @ 20V (AC OR DC) MAX.
 - ELECTRIC LIFE: 200,000 MAKE-AND-BREAK CYCLES AT FULL LOAD.
 - INSULATION RESISTANCE: 1,000 MΩ MIN.
 - DIELECTRIC STRENGTH: 2,000 VAC MIN. FOR 1 MINUTE
 - CONTACT RESISTANCE: 50mΩ MAX. @ 1A 12VDC
 - OPERATING TEMP.: -20°C to 55°C
 - TRAVEL: 1.8mm
 - ▲ DENOTES CRITICAL PARAMETER.
 - ILLUMINATION VOLTAGE: BASE VOLTAGE, 20mA 2.8V
 - ILLUMINATION COLOR: RED (FORWARD), GREEN (REVERSE)
 - HARDWARE SUPPLIED: O-RING AND HEXNUT (NOT SHOWN)



TITLE PV6F240SSG-3G1				
SCALE 2:1	DATE 11/30/2011	DR BGL	DWG 52-PV6F240SSG3G1	REV A

A	20315	RELEASE FOR PRODUCTION	11/30/11	BGL
REV	PCR NO	DESCRIPTION	DATE	BY

THE INFORMATION CONTAINED IN THIS DOCUMENT IS PROPRIETARY TO E-SWITCH AND IS NOT TO BE COPIED OR TRANSFERRED