

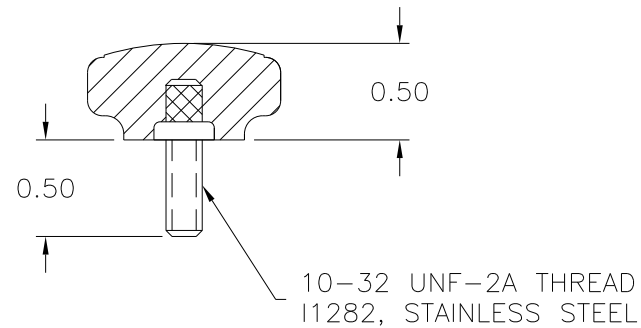
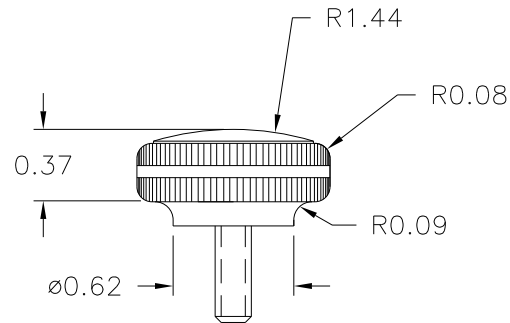
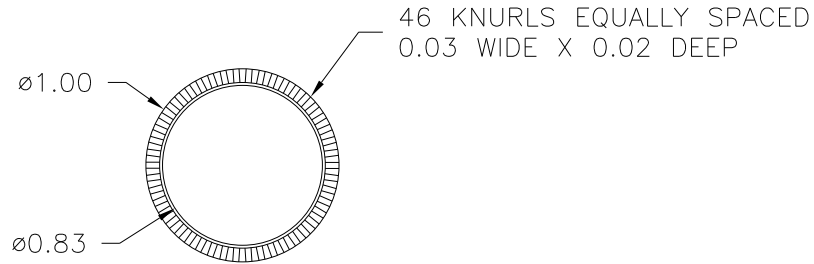
PART NAME: KNOB SCALE: 1:1 DATE: 5/30/01 DR. BY JAM

THIS DRAWING IS THE PROPERTY OF DAVIES MOLDING COMPANY, IS SUBMITTED SOLELY AS A DESIGN OR ENGINEERING PROJECT. WE ACCEPT NO RESPONSIBILITY WHATSOEVER FOR THE PRACTICAL APPLICATION OF THE PIECES MADE TO THIS DESIGN.



DESIGNERS & MANUFACTURERS OF KNOBS, HANDLES, CASES & CUSTOM PLASTIC COMPONENTS

P/N	3065DZ
M ^{NO.}	1475
CAVITY	3065
PLUNGER	3065
SHIMS	1 & 2
SPACER	3065
PIN	2965-AR
INSERT	I1282
PLUNGER KEY	1/4x1/4x7/16
CAVITY KEY	1/4x1/4x1/2



Ⓐ
MATERIAL: 04311 PHENOLIC (B41)
COLOR: BLACK

TOLERANCES: UNLESS OTHERWISE SPECIFIED	DO NOT SCALE DRAWING			
DECIMALS: X.XXX ± .005 X.XX ± .015	MM: X.XX ± 0.15MM X.X ± 0.4MM	A	WAS 07080 PHENOLIC (BA3)	JAM 9/23/08
FRACTIONS ± 1/64	ANG. ± 1°	-	WAS SK3065-14	JAM 5/30/01
CHANGES				