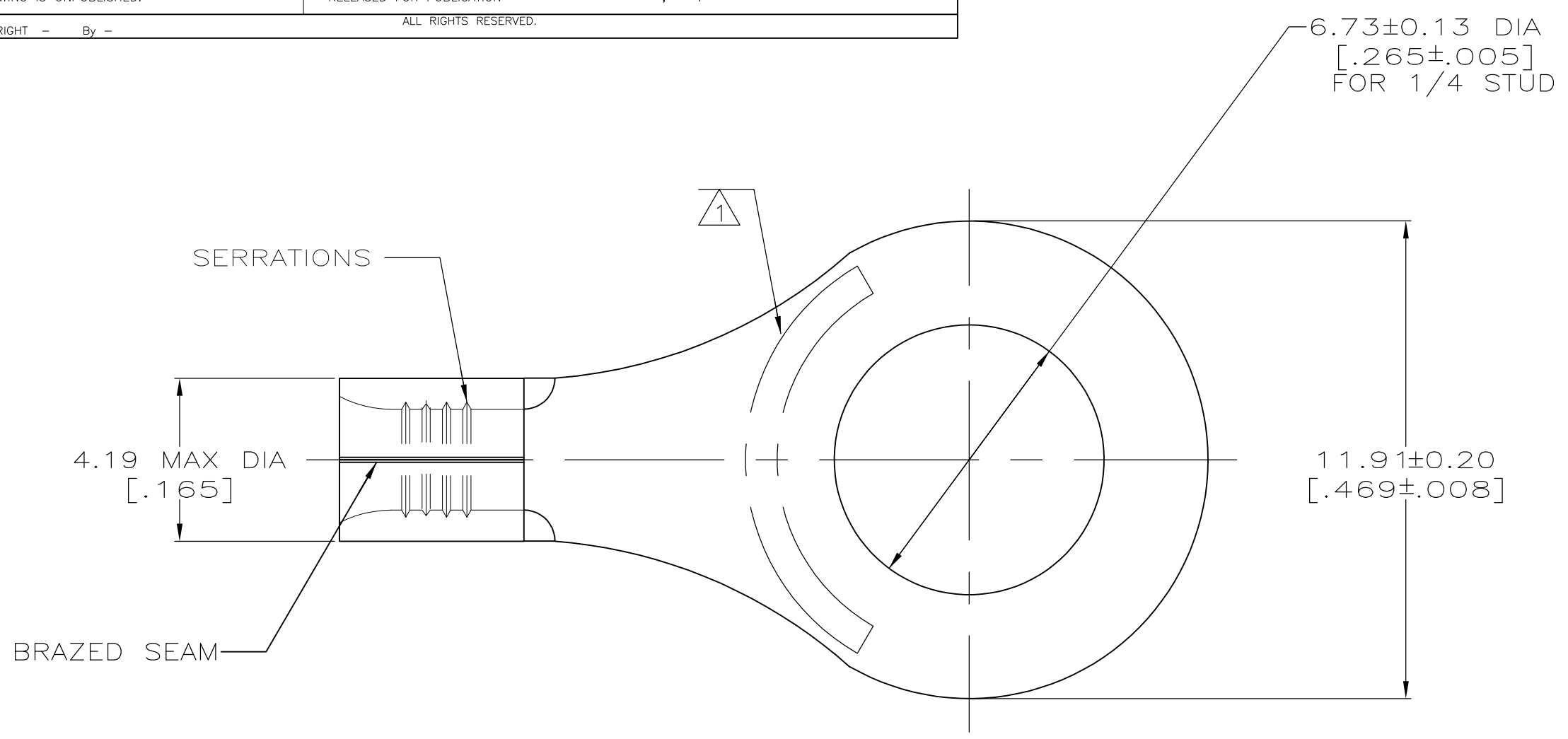
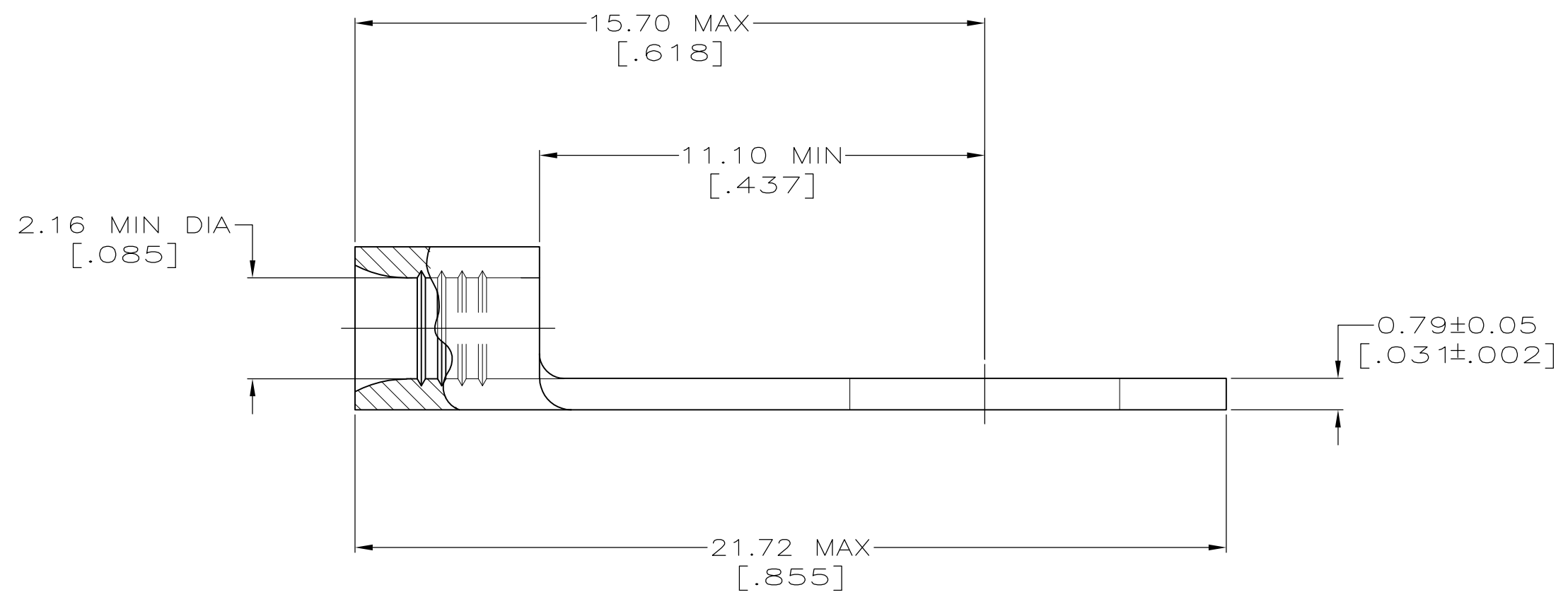


LOC	DIST	REVISIONS					
G	14	P	LTR	DESCRIPTION	DATE	OWN	APVD
		E1		REVISED PER ECO-11-004820	11MAR11	RK	HMR



AMP WIRE RANGE	E13288 Listed
16-14 AWG SOLID OR STRANDED	16-14 AWG SOLID OR STRANDED
LR7189 Certified	MILITARY P/N AND CLASS
16-14 AWG SOLID OR STRANDED	NOT APPLICABLE

- 1 STAMP AMP 16-14* APPROX AS SHOWN
- 2 0.00254 [.000100] MIN TIN PER ASTM B-545.
- 3 CLEANED, UNPLATED



FINISH	QUANTITY	PACKAGING TYPE	PART NO
3	-	LOOSE PIECE	34124-1
2	100	LOOSE PIECE, BOX SPECIAL (NO WINDOW)	8-34124-5
	100	LOOSE PIECE, BOX	8-34124-1
	5000	ON TAPE	2-34124-1
	----	LOOSE PIECE	34124

AMP INCORPORATED CUSTOMER SERVICE SYSTEMS		MAX RECOMMENDED OPERATING TEMPERATURE: 170° C MAX
FOR ADDITIONAL PRODUCT INFORMATION OR COPIES OF DRAWINGS AND TECHNICAL DOCUMENTS	PRODUCT INFORMATION CENTER 1-800-522-6752	VOLTAGE RATING: NOT APPLICABLE
FOR APPLICATION TOOLING INFORMATION	TOOLING ASSISTANCE CENTER 1-800-722-1111	WIRE CROSS SECTIONAL AREA RANGE: 1.04-2.62mm ² [2,050-5,180] CIR MILS SOLID OR STRANDED
FOR ORDER ENTRY	1-800-526-5142	THIS DRAWING IS A CONTROLLED DOCUMENT FOR AMP INCORPORATED. IT IS SUBJECT TO CHANGE AND THE CONTROLLING ENGINEERING ORGANIZATION SHOULD BE CONTACTED FOR THE LATEST REVISION.

THIS DRAWING IS A CONTROLLED DOCUMENT.		DWN TA BRINKMAN 3-17-93	TE Connectivity
DIMENSIONS: MM [INCHES]		CHK DA PATTERSON 3-17-93	
TOLERANCES UNLESS OTHERWISE SPECIFIED:		APVD DE MILLER 3-17-93	NAME TERMINAL, RING TONGUE, SOLISTRAND
0 PLC ± - 1 PLC ± - 2 PLC ± - 3 PLC ± - 4 PLC ± - ANGLES ± ± -		PRODUCT SPEC APPLICATION SPEC	SIZE A2
MATERIAL COPPER PER ASTM-B-152 ANNEALED	FINISH -	WEIGHT -	CAGE CODE 00779
CUSTOMER DRAWING		DRAWING NO G-34124	RESTRICTED TO -
SCALE 8:1		SHEET 1 of 1	REV E1