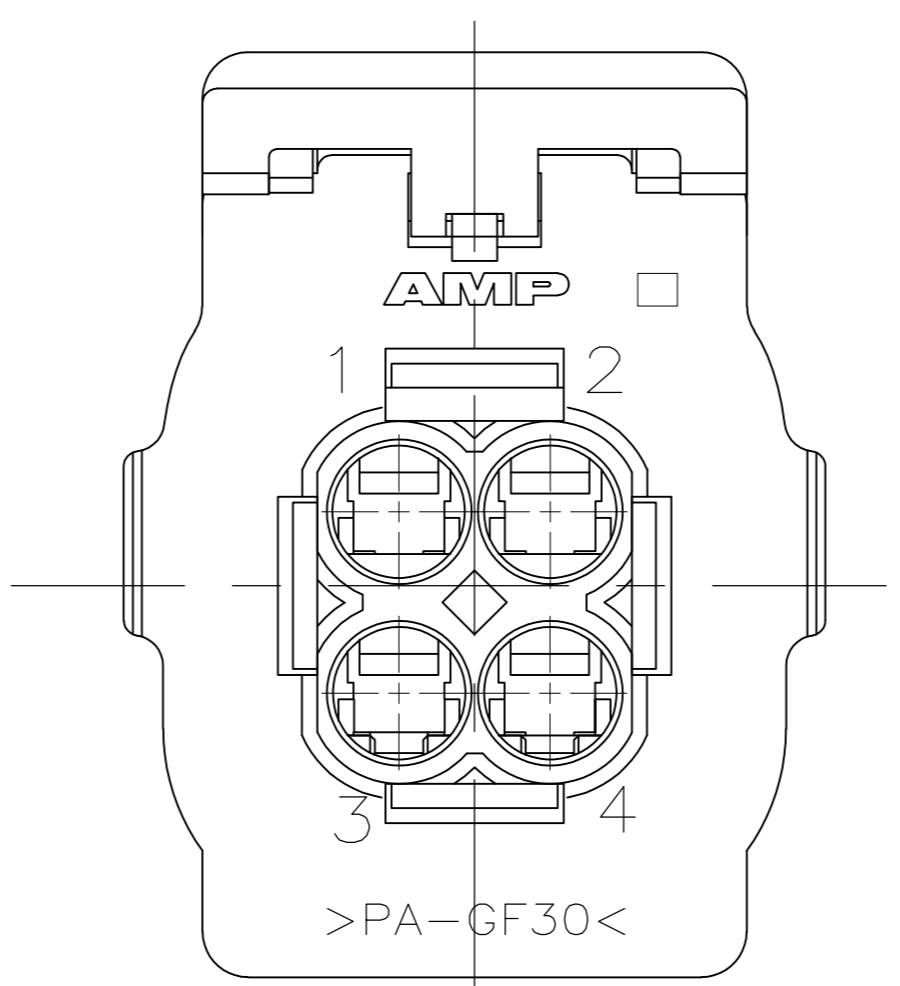
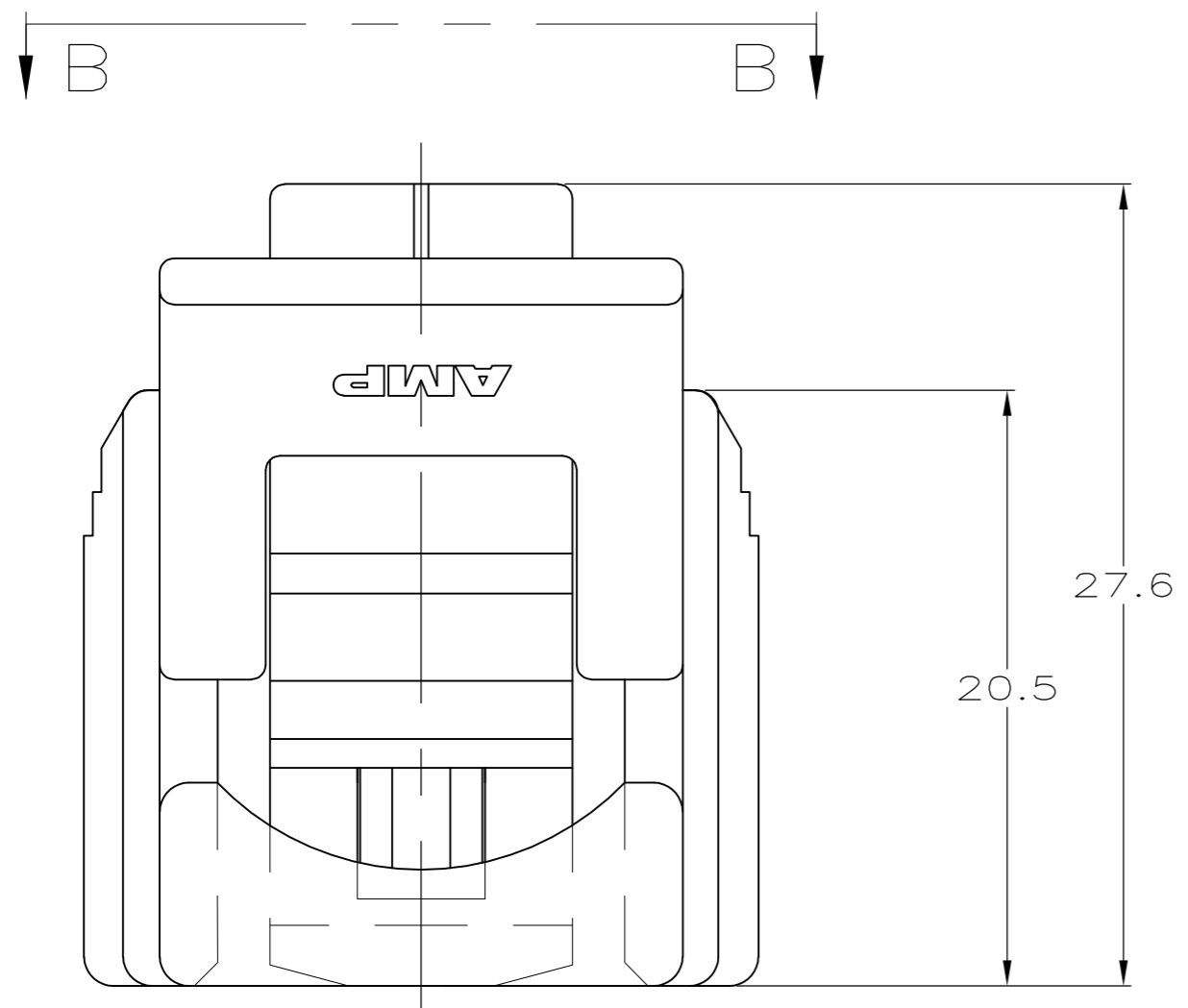
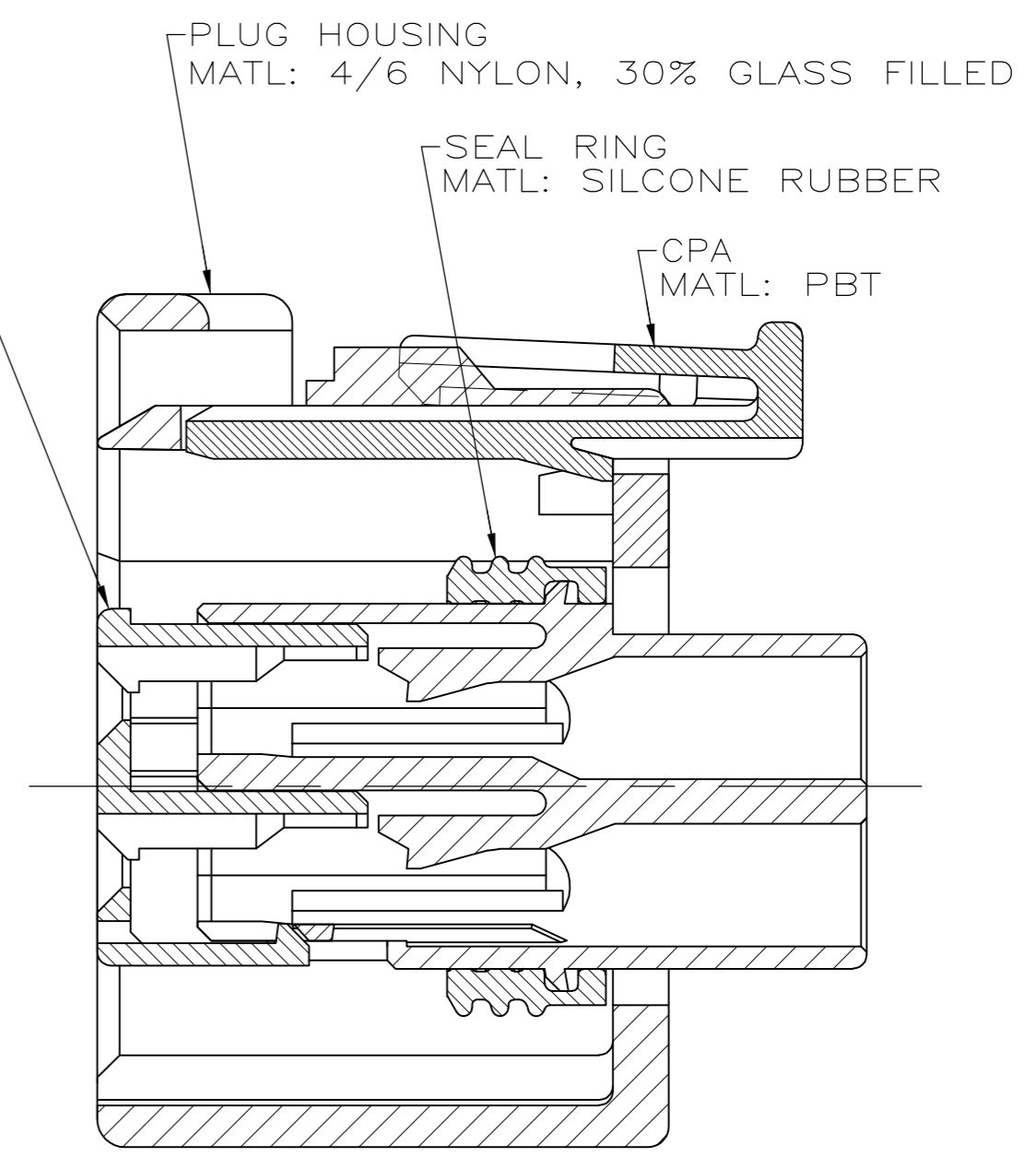
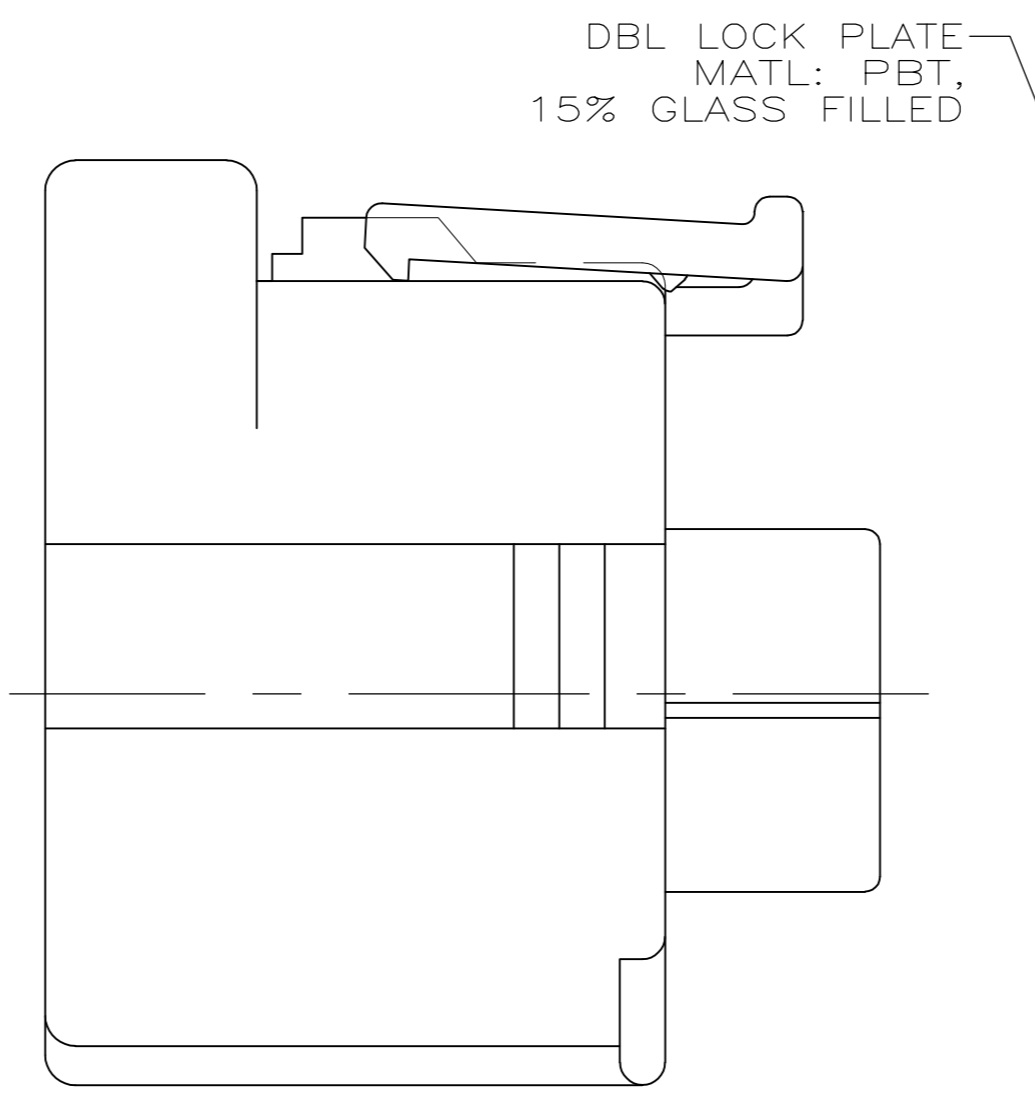
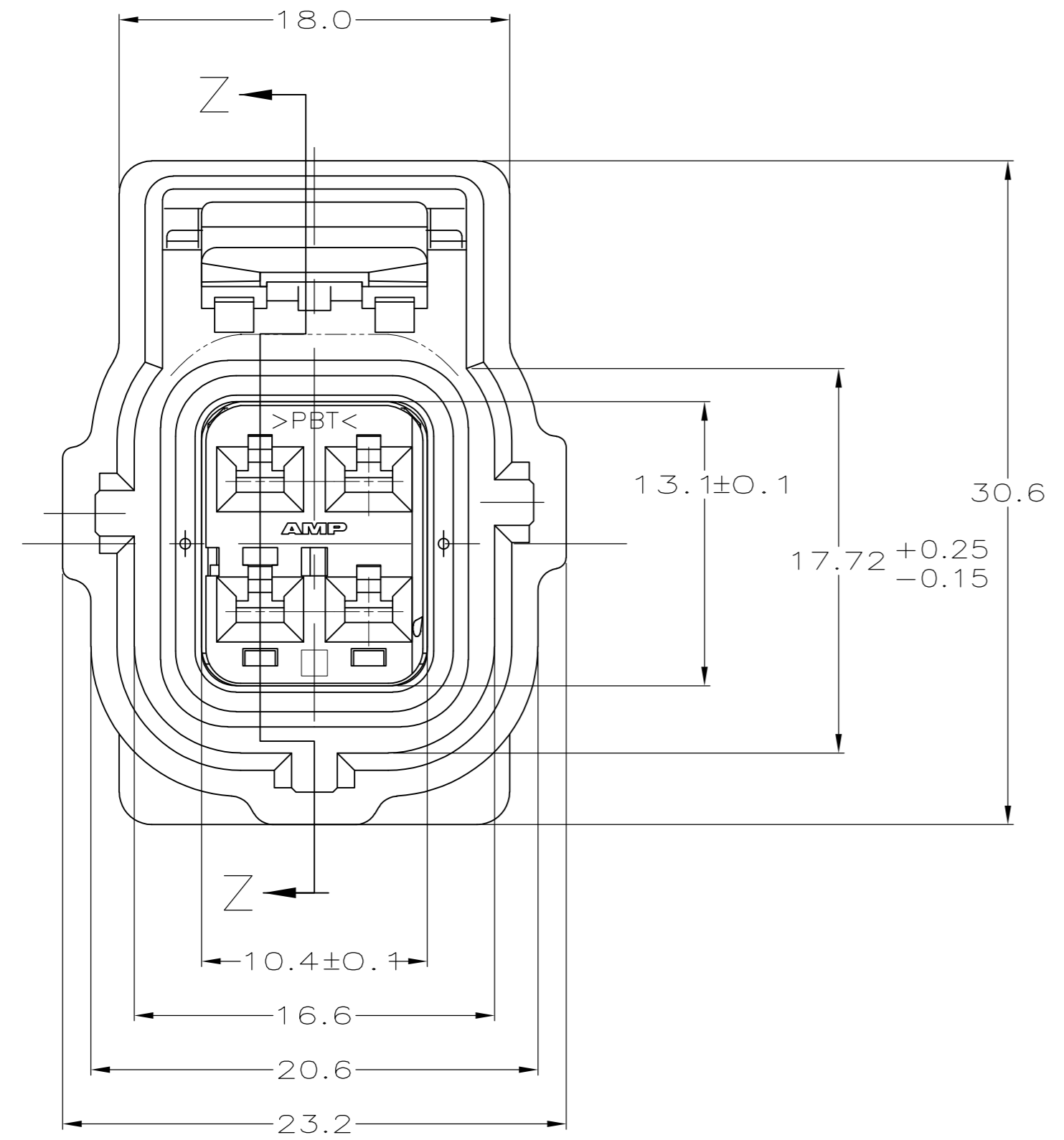


THIS DRAWING IS UNPUBLISHED. RELEASED FOR PUBLICATION  
 © COPYRIGHT BY TYCO ELECTRONICS CORPORATION. ALL INTERNATIONAL RIGHTS RESERVED.

LOC		DIST		REVISIONS			
P	LTR	DESCRIPTION	DATE	DWN	APVD		
GE	00						
	K	REVISED PER ECO-09-008507	09APR2009	DD	MB		



VIEW B-B



SECTION Z-Z  
SCALE 4:1

BLACK	184248-1
PLUG COLOR	PART NUMBER

THIS DRAWING IS A CONTROLLED DOCUMENT.		DWN	KD LYTLE	04/18/96	Tyco Electronics Corporation Harrisburg, PA 17105-3608
DIMENSIONS: mm		CHK	CT HYRB	04/26/96	
TOLERANCES UNLESS OTHERWISE SPECIFIED:		APVD	CT HYRB	04/26/96	
0 PLC ± - 1 PLC ± 0.3 2 PLC ± 0.15 3 PLC ± - 4 PLC ± - ANGLES ± - FINISH -		PRODUCT SPEC			
MATERIAL		APPLICATION SPEC	NAME		2 X 2 PLG ASY KEY A-C4 W/CPA
		WEIGHT	-	SIZE	A2
		CUSTOMER DRAWING	SCALE	4:1	SHEET 1 of 1
				CAGE CODE	00779
				DRAWING NO	C=184248
				RESTRICTED TO	-
				REV	K