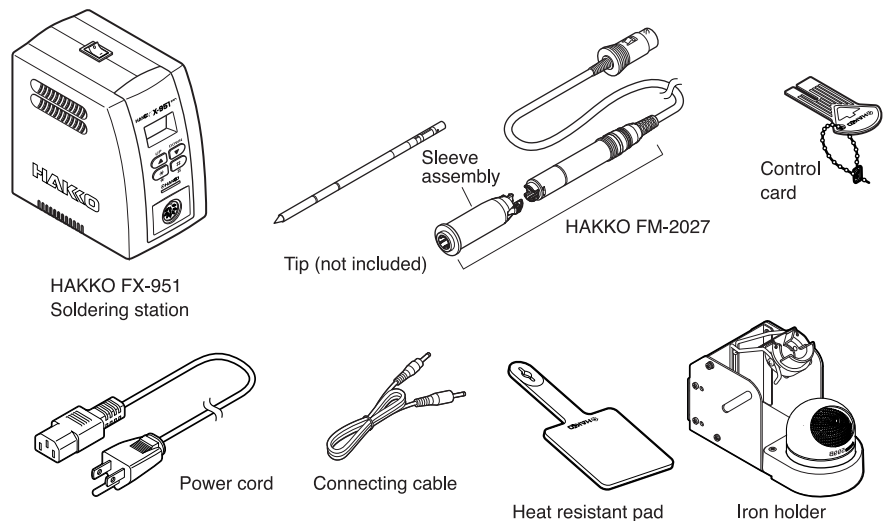


Thank you for purchasing HAKKO FX-951 soldering station.
Please read this manual before operating the HAKKO FX-951.
Keep this manual readily accessible for reference.

1. PACKING LIST AND PART NAMES

Please check to make sure that all items listed below are included in the package.

HAKKO FX-951 soldering station	1	Heat resistant pad	1
HAKKO FM-2027 soldering iron	1	Iron holder	1
Control card	1	Connecting cable	1
Power cord	1	Instruction manual	1



2. SPECIFICATIONS

HAKKO FX-951 soldering station

Power consumption	75 W
Temperature range	200-450°C (400-840°F)
Temperature stability	±5°C (±9°F)

Station

Output	24 V
Dimensions	80 (W) × 130 (H) × 131 (D) mm (3.15 (W) × 5.12 (H) × 5.16 (D) in.)
Weight	1.2 kg (2.65 lb.)

HAKKO FM-2027 soldering iron

Power consumption	70 W (24 V)
Tip to ground resistance	< 2 Ω
Tip to ground potential	< 2 mV
Length of cord	1.2 m (4 ft.)
Length, (w/o cord)	188 mm (7.4 in.) with 2.4D tip
Weight, (w/o cord)	30 g (0.07 lb.) with 2.4D tip

NOTE:

The temperature was measured using the HAKKO 191 or FG-100 thermometer.
* This product is protected against electrostatic discharge.
* This product meets China RoHS requirements.
* Specifications and design are subject to change without notice.

Electrostatic Protection

This product includes such features as electrically conductive plastic parts and grounding of the handpiece and station as measures to protect the device to be soldered from the effects of static electricity. Be sure to observe the following instructions:

- The handle and other plastic parts are not insulators, they are conductors. When replacing parts or repairing, take sufficient care not to expose live electrical parts or damage insulation materials.
- Be sure to ground the unit during use.

中國RoHS: 產品中有毒有害物質或元素的名稱及含量

部件名稱	有毒有害物質或元素					
	鉛(Pb)	汞(Hg)	鎘(Cd)	六價鉻(Cr(VI))	多溴聯苯(PBB)	多溴二苯醚(PBDE)
焊鐵部	×	○	○	○	○	○
插座	×	○	○	○	○	○
插頭	×	○	○	○	○	○

○ : 表示該有毒有害物質在該部件所有均質材料中的含量均在SJ/T 11363-2006標準規定的限量要求以下。
× : 表示該有毒有害物質至少在該部件的某一均質材料中的含量超出SJ/T 11363-2006標準規定的限量要求。

注有「附帶BS插頭」之時，表示「插頭」為含有有害物質的部件。

3. WARNINGS, CAUTIONS AND NOTES

WARNING

Warnings, cautions and notes are placed at critical points in this manual to direct the operator's attention to significant items. They are defined as follows:

WARNING: Failure to comply with a WARNING may result in serious injury or death.

CAUTION: Failure to comply with a CAUTION may result in injury to the operator, or damage to the items involved. Two examples are given below.

NOTE: A NOTE indicates a procedure or point that is important to the process being described.

EXAMPLE: An EXAMPLE is given to demonstrate a particular procedure point or process.

CAUTION

When power is ON, tip temperatures will be between 200°C and 450°C. (392°F to 840°F.) To avoid injury or damage to personal and items in the work area, observe the following:

- Do not touch the tip or the metal parts near the tip.
- Do not allow the tip to come close to, or touch, flammable materials.
- Inform others in the area that the unit is hot and should not be touched.
- Turn the power off when not in use, or left unattended.
- Turn the power off when changing parts or storing the HAKKO FX-951.

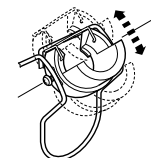
To prevent accidents or damage to the HAKKO FX-951, be sure to observe the following:

- Do not use the HAKKO FX-951 for applications other than soldering.
- Do not allow the HAKKO FX-951 to become wet, or use it when hands are wet.
- Do not modify the HAKKO FX-951.
- Use only genuine HAKKO replacement parts.
- Do not bend or damage the control card. If the card does become damaged, do not force the card into the station slot.
- Do not strike the iron against hard objects to remove excess solder. This will damage the iron.
- Be sure the work area is well ventilated. Soldering produces smoke.
- While using HAKKO FX-951, don't do anything which may cause bodily harm or physical damage.

4. INITIAL SETUP

A. Iron holder

- Loosen the adjusting screws to change the angle of the iron receptacle as you like, then tighten the screws.



CAUTION
Do not set up the iron receptacle too high, the temperature of the soldering iron will become very hot.

CAUTION
Do not lay down the iron receptacle too much, it can be easy to fall down.

Operation:

First, remove any excess solder from the tip by thrusting the tip into the cleaning wire. (Do not wipe the tip against the wire. This may cause molten solder to spatter.)
When the wire become dirty or loaded with solder, turn the wire until a clean surface is presented.
When changing the cleaning wire, lift the case top vertically to prevent solder debris from falling out.

- Place the spare tips in the tip tray.

Use of the sleep function

When using the sleep function, insert one end of the connecting cable into the jack at the back of the iron holder and the other end into the jack at the back of the soldering station to connect them.

CAUTION
Be sure to turn off the power before connecting or disconnecting the connecting cable.

B. Handpiece cord assembly

Pass the iron cord through the hole in the heat resistant pad.

C. Soldering station

CAUTION
Be sure the power switch is OFF before connecting or disconnecting the soldering iron cord. Failure to do so may result in damage to the circuit board.

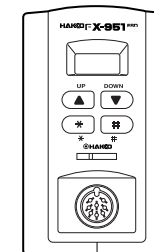
- Insert the power cord into the receptacle at the back of the station.
Insert the soldering iron cord into the receptacle at the front of the station.
- Set the iron in the iron holder.
- Plug the power cord into a grounded wall socket.

CAUTION
The HAKKO FX-951 is protected against electrostatic discharge and must be grounded for full efficiency.

5. OPERATION

Controls and displays

Controls



The front panel of the HAKKO FX-951 soldering station has the following controls:

- Four control buttons:

- [*]** – Initiates a data entry mode.
- [*]** – End of sequence signal (terminates a phase of a data entry mode); when pressed for less than one second, displays settings already stored.
- [▲]** – Increases the value in the appropriate display window.
- [▼]** – Decreases the value in the appropriate display window.

Operation

- Turn the power switch ON.
- Once the temperature is reached, the buzzer sounds. The heater lamp at the lower right of the temperature display [750] starts blinking.

Setting/changing the temperature

Example: 750°F to 800°F

- Insert the control card into the slot in the front of the unit.**
 - The hundreds digit will begin to flash, indicating that the unit is in the TEMPERATURE SET mode and data may be entered.
- Entering the hundreds digit**
 - Press the [▲] or [▼] button to set the desired figure. Only 2, 3, or 4 can be selected. (In °F mode, 4, 5, 6, 7, or 8 can be selected.) When the desired figure is displayed, press the [*] button to enter. The tens digit will begin to flash.
- Entering the tens digit**
 - Press the [▲] or [▼] button to set the desired figure. Any value from 0 to 9 can be selected. (In °F mode, the same value can be selected.) When the desired figure is displayed, press the [*] button to enter. The units digit will begin to flash.
- Entering the units digit**
 - Press the [▲] or [▼] button to set the desired figure. Any value from 0 to 9 can be selected. (In °F mode, the same value can be selected.) When the desired figure is displayed, press the [*] button to enter. The desired temperature is now entered into the system memory and heater control will begin.

When the station is ON and the card is in the station, the data entry procedure follows:

Displays

The HAKKO FX-951 has a three-digit display element. Depending upon the selected mode, it will display:

- Normal mode: Sensor temperature (tip temperature)
- Data entry: Selected quantity (See 'data entry procedures' for exact characteristics.)
- Temperature scale: °C or °F, depending upon selection
- Error detection: Refer to 'ERROR MESSAGES' section.

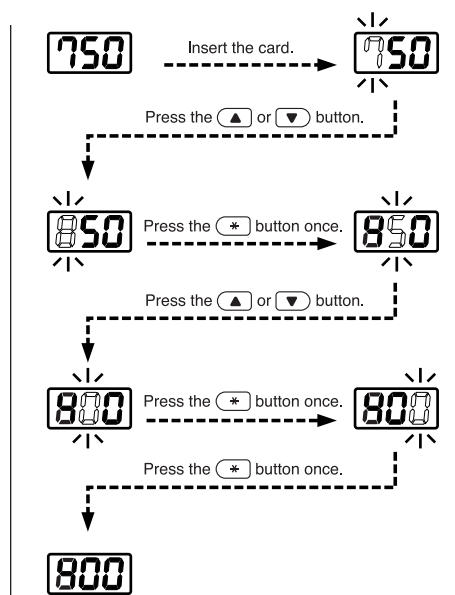
In addition, heater lamps will flash when the station has reached the desired temperature, indicating that it is ready for use.

An audible buzzer is provided to alert the operator when:

- The station has reached the set temperature. The buzzer will sound once.
- When the low temperature threshold has been crossed, the buzzer will sound continuously. This buzzer will shutoff when the sensed temperature returns to the acceptable range.
- When a foreign substance, an incompatible tip, or the soldering end of the tip is inserted into the HAKKO FM-2027, the display will blink and the buzzer will sound continuously.
- When the error occurs with the HAKKO FM-2027, the buzzer will sound continuously.

CAUTION
The HAKKO FX-951 is preset at 750°F at the factory. Check the temperature setting by pressing the [*] button. The set temperature will be displayed for two seconds.

CAUTION
Place the iron in the iron holder when not in use.



NOTE:
If power is switched off or lost during the execution of this procedure, no data will be entered. The entire procedure must be repeated from step 1.

- Hold the [*] button down for at least one second. The current temperature setting will be displayed, then the hundreds digit will begin to flash. This indicates that the station has entered the temperature setting mode. Continue with the procedure of 2 - 4, above.
- When the [*] button is pressed for less than one second, the current temperature setting is displayed for two seconds, then returns to show the actual tip temperatures.

5. OPERATION

● Replacing the tip

⚠ CAUTION

The tip may be hot. Avoid holding the hot tip for a long time even if using the heat-resistant pad. Otherwise burns may result.

Removing the tip:

- Hold down the lock release buttons in the sleeve assembly, pull out the tip together with the sleeve assembly from the connector.

⚠ CAUTION

- Be sure to keep the lock release buttons hold down while pulling out the sleeve assembly. Failure to do so will damage the locking mechanism.
- Be sure to pull out the tip only after separating the sleeve assembly from the connector. Otherwise, the sleeve assembly may fall down and break.

- Holding the front end of the sleeve assembly, pull out the tip.

Inserting the tip:

Holding the front end of the tip, insert it into the sleeve assembly.

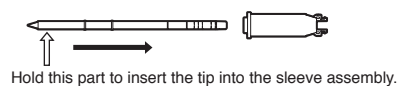
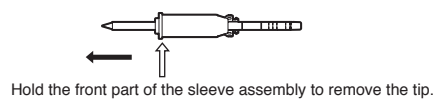
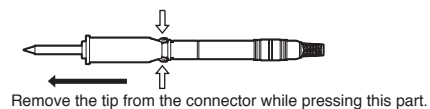
⚠ CAUTION

Insert the tip into the sleeve assembly until it clicks into place. When you hear it clicks, avoid forcing the tip into the sleeve assembly.

- Insert the tip securely into the connector.

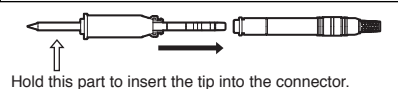
NOTE:

Improper insertion of the tip will cause **S-E** to appear on the display.



⚠ CAUTION

When holding the head of the tip, there is a danger of burn. Be sure to use the heat-resistant pad.



The temperature accuracy of iron tips is $\pm 15^{\circ}\text{C}$ ($\pm 27^{\circ}\text{F}$) except for some tips. If a higher temperature accuracy is required, use the following offset function:

● How to enter the tip offset value into the HAKKO FX-951

Example 1:

If the measured temperature is 710°F and the set temperature is 700°F , the difference is -10°F (need to decrease by 10°F). So, enter the figure which 10 is deducted from present offset value.

1. Insert the control card into the slot in the station.

- The station is in the temperature setting mode. The hundreds digit will begin to flash.

2. Press the **#** button on the front panel.

- This will set the station to offset value entry mode.

3. Enter the offset value

The allowable ranges for offset values are from -50 to $+50^{\circ}\text{C}$ (In $^{\circ}\text{F}$ mode from -90 to $+90^{\circ}\text{F}$).

NOTE:

During offset data entry mode with blinking, the tip temperature is controlled by present offset value.

a. Entering the hundreds digit

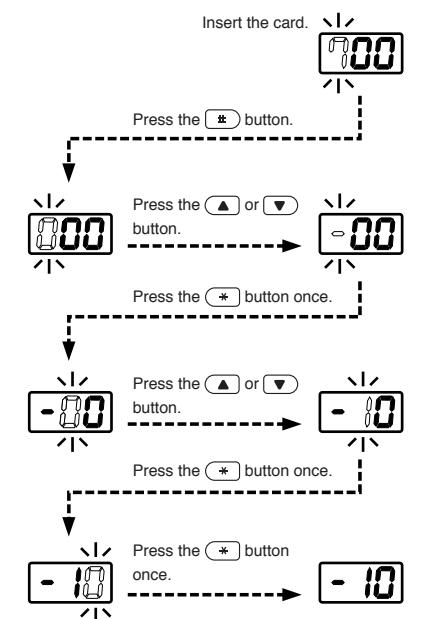
- Press the **▲** or **▼** button to set the desired figure. Only 0 (plus) or - (minus) can be selected. (In $^{\circ}\text{F}$ mode, it is the same as $^{\circ}\text{C}$ mode). When the 0 (plus) or - (minus) is selected, press the ***** button to enter. The tens digit will begin to flash.

b. Entering the tens digit

- Press the **▲** or **▼** button to set the desired figure. Any value from 0 to 5 (In $^{\circ}\text{F}$ mode, 0 to 9) can be selected. When the desired figure is displayed, press the ***** button to enter. The units digit will begin to flash.

c. Entering the units digit

- Press the **▲** or **▼** button to set the desired figure. Any value from 0 to 9 (In $^{\circ}\text{F}$ mode, same value can be selected.) When the desired figure is displayed, press the ***** button to enter. The desired temperature is now entered into the system memory and heater control will begin with new offset value.



NOTE:

When the unit is in offset-free mode, you can go into the offset value entry mode without control card by pressing the **#** button for second.

- Hold the **#** button down for at least one second. The current offset value will be displayed, then the hundreds digit will begin to flash. This indicates that the station has entered the offset value input mode. Continue with the procedure of a - c, above.

- When the **#** button is pressed for less than one second, the current offset value is displayed for two seconds, then returns to tip temperature.

When the station is ON and the card is in the station, the offset entry procedure follows:

6. PARAMETER SETTINGS

The HAKKO FX-951 comes from the factory with the following values preset.

Temperature scale	Fahrenheit
Power save	0 min.
Low temperature alarm setting	300°F
Resetting the supervisor or operator control setting	4 0
Setting temperature	750°F

● Entering the parameter

1 $^{\circ}\text{C}$ or $^{\circ}\text{F}$ temperature display

2 Power save setting

Set the time from the placement of the soldering iron on the iron holder to the activation of the sleep function.

NOTE:

When not using the power save function, do not connect the iron holder and the soldering station with the connecting cable.

Power save example:

- 2 0 Sleep (immediately after the soldering iron is placed on the iron holder)
- 2 10 Sleep (10 minutes after the soldering iron is placed on the iron holder)
- 2 30 Auto-power shutoff (30 minutes after the soldering iron is placed on the iron holder)

NOTE:

The power save time can be set in steps of one minute (30 minutes max.)

- The sleep function is activated and the temperature of the tip begins to drop. The buzzer sounds once.
- When the display shows **SLP**, pressing any button the power will be turned on again.

NOTE:

The sleep function does not work in case the setting temperature is less than $300^{\circ}\text{C}/570^{\circ}\text{F}$.

- When the auto-power shutoff function is activated and power to the heater is shut off, the buzzer sounds three times.
- When the display shows **---**, and to begin soldering, cycle the power switch OFF, then ON.

3 Resetting the low temperature alarm tolerance setting

The unique function alerts the operator when the sensed temperature drops below a set limit. Should this occur, an error message will be displayed, and the buzzer will sound continuously. When the temperature returns within the allowable range, the buzzer will stop.

Range of allowable low temperature alarm tolerance for $^{\circ}\text{C}$: $30 - 150^{\circ}\text{C}$
for $^{\circ}\text{F}$: $50 - 300^{\circ}\text{F}$

Example:

When the setting temperature is 750°F and the low temperature alarm tolerance is 200°F , buzzer will sound when the tip temperature will drop over 550°F .

4 Resetting the supervisor/operator control setting

The HAKKO FX-951 has the following four parameters:

- $^{\circ}\text{C}$ or $^{\circ}\text{F}$ temperature display selection
- Power save
- Low temperature alarm setting
- Resetting the supervisor/operator control setting

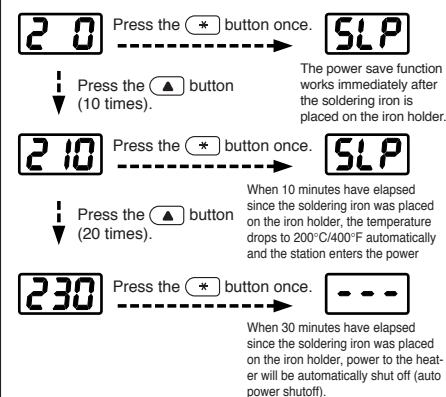
Once the station enters parameter mode, set the parameters in the order shown below. After all the parameters have been set, normal operation will be resumed.

- Turn power OFF.
- Insert the control card into the card slot in the front of the unit.
- Press and hold down the **▲** and **▼** buttons simultaneously, and then turn power ON.
- Hold **▲** and **▼** buttons down until the display shows **i C** (Celsius) or **i F** (Fahrenheit).

When either the display shows either **i C** or **i F** the station is in parameter input mode.

- Pressing either the **▲** and **▼** button will cause the display to alternate between **i C** or **i F**.
- When the desired scale is displayed, select by pressing the ***** button. The system will automatically sequence to power save mode.

When the station enters the parameter input mode, the procedure is as follows.



- When the station enters low-temperature alarm tolerance setting mode, the hundreds digit begins flashing. Enter and store the value in the same manner as described in "Changing the temperature setting."

- If you enter a value exceeding the allowable range shown to the left, you will be brought back to entering a value in the hundreds digit. If this occurs, reenter a correct value.

- Once the value is stored, the system will automatically sequence to resetting the supervisor/operator control setting mode.

To change the supervisor/operator control settings, the procedure is as follows.

- The display will show **4 0** or **4 i** when this mode is entered.

4 0: No offset value can be entered without inserting the card.

4 i: An offset value can be entered without inserting the card.

Pressing the **▲** or **▼** button will change **4 0** and **4 i**.

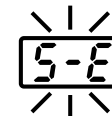
When the desired setting is displayed, select by pressing ***** button.

The system will exit the parameter setting mode and begin heater control.

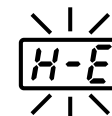
It is now ready for normal operation.

7. ERROR MESSAGES

● Sensor Error



● Low-temperature alarm tolerance error



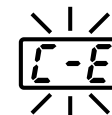
EXAMPLE:

350°C ($400^{\circ}\text{C} - 50^{\circ}\text{C}$)
Set temperature | Low-temperature alarm tolerance
OR
 650°F ($750^{\circ}\text{F} - 100^{\circ}\text{F}$)
Set temperature | Low-temperature alarm tolerance

● Heater terminal short-circuit error



● Soldering iron error



When there is the possibility that a failure has occurred in the sensor or heater (including the sensor circuit), **S-E** is displayed and the power is shut down.

⚠ CAUTION

The sensor error also occurs if the tip is not inserted properly.

If the sensor temperature falls below the difference between the current temperature setting and the low-temperature alarm tolerance, **H-E** is displayed and the warning buzzer sounds. When the tip temperature rises to a value within the set tolerance, the buzzer will stop sounding.

EXAMPLE:

Assume that the temperature setting is $400^{\circ}\text{C}/750^{\circ}\text{F}$ and the tolerance $50^{\circ}\text{C}/100^{\circ}\text{F}$. If the temperature continues to decrease and finally falls below the value indicated below while the heating element is on, the displayed value starts blinking to indicate that the tip temperature has dropped.

HSE will flash, and the buzzer will sound continuously, when the tip is inserted wrong way round, an incompatible tip is inserted, or a foreign object has found its way into the connector.

C-E will be displayed if the connector cord is not attached to the station OR the wrong soldering iron is connected.



HAKKO CORPORATION
HEAD OFFICE

TEL: +81-6-6561-3225 FAX: +81-6-6561-8466
http://www.hakko.com E-mail: sales@hakko.com

OVERSEAS AFFILIATES

U.S.A.: AMERICAN HAKKO PRODUCTS, INC.

TEL: (661) 294-0090 FAX: (661) 294-0096

Toll Free: (800)88-HAKKO

http://www.hakkousa.com

HONG KONG: HAKKO DEVELOPMENT CO., LTD.

TEL: 2811-5588 FAX: 2590-0217

http://www.hakko.com.hk

E-mail: info@hakko.com.hk

SINGAPORE: HAKKO PRODUCTS PTE., LTD.

TEL: 6748-2277 FAX: 6744-0033

http://www.hakko.com.sg

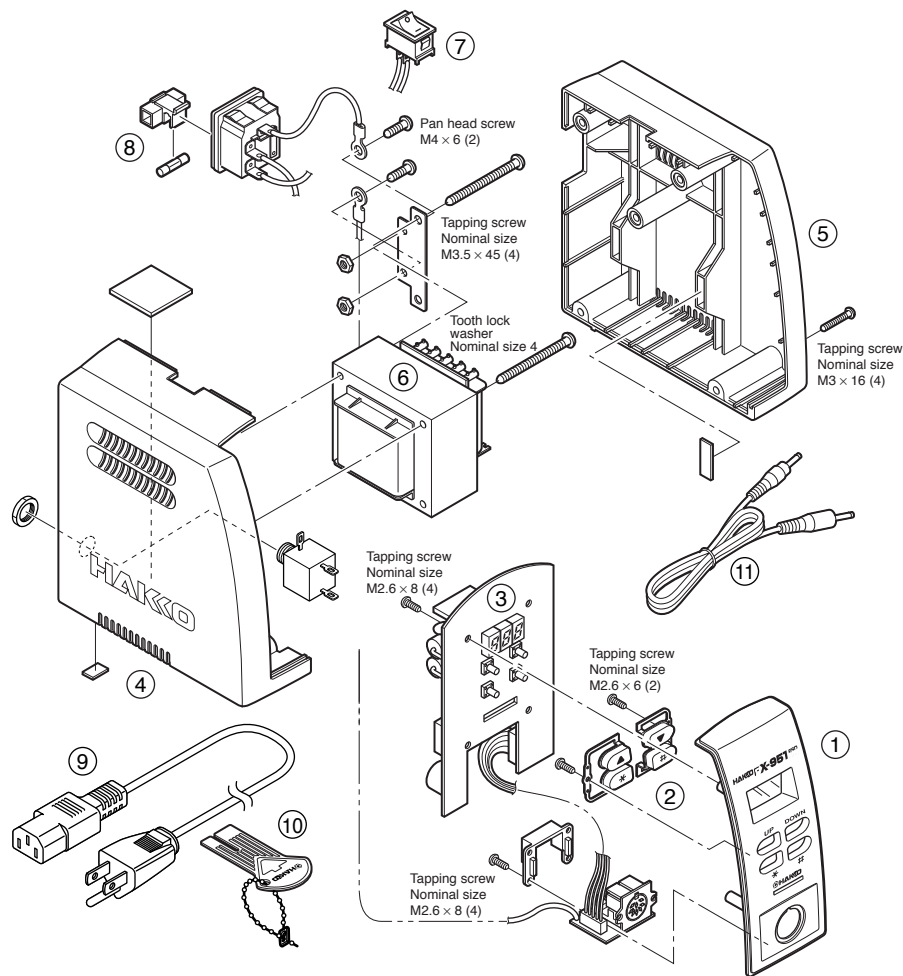
E-mail: sales@hakko.com.sg

Please access to the following address for the other Sales affiliates.

http://www.hakko.com

Copyright © 2004 HAKKO Corporation. All Rights Reserved.

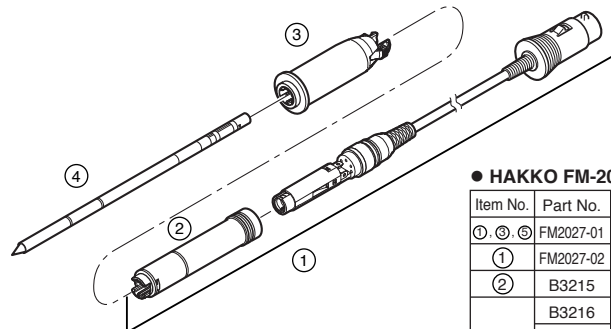
1. PARTS LIST



● HAKKO FX-951 Station

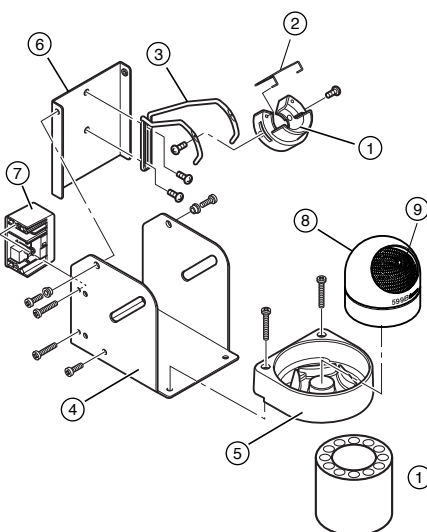
Item No.	Part No.	Part Name	Specifications
①	B2973	Front panel	
②	B2982	Button set	4 each
③	B3256	PWB / temperature control	
④	B3255	Case/Left	With rubber feet and cushions
⑤	B2978	Case/Right	With rubber feet and cushions
⑥	B2979	Transformer	100V
	B2983	Transformer	110V
	B2836	Transformer	120V
	B2984	Transformer	220V
	B2985	Transformer	230V
⑦	B3067	Transformer	240V
	B2852	Power switch	

Item No.	Part No.	Part Name	Specifications
⑧	B2403	Fuse/250V-2A	100-110V
	B3011	Fuse/250V-2A	120V
	B2987	Fuse/250V-1A	220-240V
⑨	B2419	Power cord, 3-wire cord & American plug	
	B2421	Power cord, 3-wire cord but no plug	
	B2422	Power cord, 3-wire cord & BS plug	India
	B2424	Power cord, 3-wire cord & European plug	220V KTL 230V CE
	B2425	Power cord, 3-wire cord & BS plug	230V CE
	B2436	Power cord, 3-wire cord & Chinese plug	China
	B2426	Power cord, 3-wire cord & Australian plug	
⑩	B2972	Control card	
⑪	B3253	Connecting cable	



● HAKKO FM-2027

Item No.	Part No.	Part Name	Specifications
① ② ③	FM2027-01	Conversion kit	③ is yellow
①	FM2027-02	Connector assembly	
②	B3215	Connector cover	
	B3216	Sleeve assembly	Yellow
	B3217	Sleeve assembly	Orange
	B3218	Sleeve assembly	Blue
③	B3219	Sleeve assembly	Green
		Tip	See back page: 'TIP STYLES'
⑤	B2300	Heat resistant pad	



● Iron Holder

Item No.	Part No.	Part Name	Specifications
①-⑨	FH200-01	Iron holder	With 599B

● Iron Holder Parts

Item No.	Part No.	Part Name	Specifications
①	B3001	Iron receptacle	With screws
②	B2791	Tip fixing spring	
③	B3248	Holder for iron receptacle	
④	B3251	Iron holder base	With rubber feet
⑤	B3249	Cleaner base	With rubber feet
⑥	B3250	Stay	
⑦	B3252	Switch case assembly	
⑧	599B-02	Tip cleaner	
⑨	599-029	Cleaning wire	

● Optional Parts

Item No.	Part No.	Part Name	Specifications
①	B2756	Tip tray	

2. MAINTENANCE/CHECKING PROCEDURE

Performing proper and periodical maintenance extends the products life and contributes to use it always in a good condition. Efficient soldering depends upon the temperature, the quality and quantity of the solder and flux. Apply the following service procedure as dictated by the conditions of the usage.

⚠ WARNING

Since the soldering iron can reach a very high temperature, please work carefully. Except the case especially indicated, always turn the power switch OFF and disconnect the power plug before performing any maintenance procedure.

● Tip maintenance

1. Tip temperature

High temperatures shorten tip life and may cause thermal shock to components. Always use the lowest possible temperature when soldering. The excellent thermal recovery characteristics of the HAKKO FX-951 ensure effective soldering at low temperatures.

2. Cleaning

Always clean the soldering tip before use, to remove any residual solder or flux adhering to it. Use a clean and moist cleaning sponge No. A1536 (provided with the HAKKO FX-951) or the HAKKO 599B tip cleaner. Contaminants on the tip have many deleterious effects, including reduced heat conductivity, which contribute to poor soldering performance.

3. After use

Always clean the tip and coat it with fresh solder after use. This guards against oxidation.

4. When the unit is not being used and the auto power shutoff is not active.

Never allow the unit to idle at a high temperature for extended periods. This will allow the tip to become oxidized. Turn the power switch OFF. If it is to be out of service for several hours, it is advisable to pull the power plug as well.

5. Inspecting and cleaning the tip

This procedure, if followed daily, will materially add to tip life.

- Set the temperature to 250°C. (482°F.)
- When the temperature stabilizes, clean the tip (see 2, above) and check the condition of the tip. If the tip is badly worn or deformed, replace it.
- If the solder plated part of the tip is covered with black oxide, apply fresh solder, containing flux, and clean the tip again. Repeat until all the oxide is removed, then coat the tip with fresh solder.
- Turn the power OFF and remove the tip, using the heat resistant pad. Set the tip aside to cool.
- Remaining oxides, such as the yellow discoloration on the tip shaft, can be removed with isopropyl alcohol.

⚠ CAUTION
NEVER file the tip to remove oxides!

● Checking Procedure

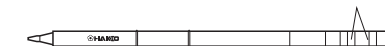
⚠ WARNING

Unless otherwise directed, carry out these procedures with the power switch OFF and the power UNPLUGGED.

● Check for a broken heater or sensor

- Check for a broken heater or sensor

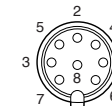
Measure the resistance across this position.



Verify the electrical integrity of the heater and sensor. Measure the resistance of the heater and sensor while at room temperature (15 to 25°C.; 59 to 77°F.). It should be 8Ω ±10%. If the resistance exceeds these limits, replace the tip.

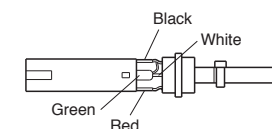
● Check the grounding line

- Unplug the connection cord from the station.
- Measure the resistance value between Pin 2 and the tip.
- If the value exceeds 2Ω (at room temperature), perform the tip maintenance described on section 2, maintenance for the tip. If the value still does not decrease, check the connection cord for breakage.



● Checking the connection cord for breakage

- Remove the soldering tip and the sleeve assembly.
- Turn the front piece of the HAKKO FM-2027 counterclockwise and remove the cover.
- Measure the resistance values between the connector and the lead wires at the socket as follows:

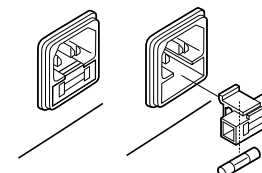


Pin 1 – Red Pin 2 – Green
Pin 3 – Black Pin 5 – White

If any value exceeds 0Ω or is ∞, replace the HAKKO FM-2028.

- Unplug the power cord from the power receptacle.
- Remove the fuse holder.
- Replace the fuse.
- Put the fuse holder back in place.

● Replacing the fuse



3. TROUBLE SHOOTING GUIDE

⚠ WARNING

Before checking the inside of the HAKKO FX-951 or replacing parts, be sure to disconnect the power plug. Failure to do so may result in electric shock.

● The unit does not operate when the power switch is turned on.

CHECK : Is the power cord and/or the connection plug disconnected?
ACTION : Connect it.
CHECK : Is the fuse blown?
ACTION : Investigate why the fuse blew and then replace the fuse. If the cause can not be determined, replace the fuse. If the fuse blows again, send the unit in for repair.

● The tip does not heat up. - The sensor error [5-E] is displayed.

CHECK : Is the tip inserted properly?
ACTION : Insert the tip completely.
CHECK : Is the connection cord and/or the heater/sensor broken?
ACTION : See the appropriate section of this manual regarding how to check the connection cord and/or the heater/sensor for breakage.

● Solder does not wet the tip.

CHECK : Is the tip temperature too high?
ACTION : Set the appropriate temperature.
CHECK : Is the tip contaminated with oxide?
ACTION : Remove the oxide (see "Tip maintenance" on section 2).

● The tip temperature is too high.

CHECK : Is the connection cord broken?
ACTION : See "Checking the connection cord for breakage" on section 2.
CHECK : Is the entered offset value correct?
ACTION : Enter the correct value.

● The tip temperature is too low.

CHECK : Is the tip contaminated with oxide?
ACTION : Remove the oxide (see "Tip maintenance" on section 2).
CHECK : Is the entered offset value correct?
ACTION : Enter the correct value.

● The soldering iron error [E-E] is displayed.

CHECK : Is incorrect soldering iron connected?
ACTION : Connect the HAKKO FM-2027 soldering iron.

● The low-temperature alarm tolerance error [H-E] occurs frequently.

CHECK : Is the tip too small for the items to be soldered?
ACTION : Use a tip with a larger thermal capacity.
CHECK : Is the setting value for the low-temperature alarm tolerance too low?
ACTION : Increase the setting value.

● Heater terminal short circuit error [E-E] is displayed.

CHECK : Is the tip for HAKKO FM-2027 soldering iron?
ACTION : Turn the power switch OFF and insert the genuine HAKKO FM-2027 tip. Turn the power switch ON.

● Though the soldering iron is placed on the iron holder, the sleep function is not activated.

CHECK : Check that the connecting cable is inserted firmly into the jack.
ACTION : Turn off the power switch and insert the connecting cable again.

4. TIP STYLES

	Unit: mm (in.)				
SHAPE B	T15-B SHAPE-B	T15-B2 SHAPE-0.5B	T15-B3 SHAPE-0.7B	T15-B4 SHAPE-0.4B	T15-BL SHAPE-BL
	T15-BLL SHAPE-BL LONG				
SHAPE BC	T15-BC1 SHAPE-1BC T15-BCF1*	T15-BC2 SHAPE-2BC T15-BCF2*	T15-BC3 SHAPE-3BC T15-BCF3*	T15-BC12 SHAPE-1.2BC	T15-BC15 SHAPE-1.5BC
	T15-BC28 SHAPE-2.8BC				
SHAPE C	T15-C1 SHAPE-1C	T15-CF2* SHAPE-2C	T15-CF3* SHAPE-3C	T15-C4 SHAPE-4C T15-CF4*	
SHAPE D	T15-D08 SHAPE-0.8D	T15-D12 SHAPE-1.2D	T15-D16 SHAPE-1.6D	T15-D2 SHAPE-2D	T15-D24 SHAPE-2.4D
	T15-D32 SHAPE-3.2D	T15-D4 SHAPE-4D	T15-D52 SHAPE-5.2D	T15-DL4 SHAPE-4D LONG	T15-DL52 SHAPE-5.2D LONG
SHAPE I	T15-I SHAPE-I	T15-IL SHAPE-IL	T15-ILS SHAPE-ILS		
SHAPE J	T15-J02 SHAPE-0.2J	T15-JD14 SHAPE-1.4JD	T15-JD16 SHAPE-1.6JD	T15-JL02 SHAPE-0.2JL	T15-JS02 SHAPE-0.2JS

SHAPE K	T15-K SHAPE-K	T15-KF SHAPE-KF	T15-KL SHAPE-KL	T15-KU SHAPE-KU	
SHAPE R	T15-R20 SHAPE-2.0R	T15-R23 SHAPE-2.3R	T15-R27 SHAPE-2.7R	T15-R34 SHAPE-3.4R	T15-R48 SHAPE-4.8R
SHAPE SB	T15-SB02 SHAPE-0.2SB	T15-SB03 SHAPE-0.3SB	T15-SB05 SHAPE-0.5SB	T15-SB08 SHAPE-0.8SB	T15-SBC04 SHAPE-0.4SBC
	T15-SBS04 SHAPE-0.4SBS	T15-SBS07 SHAPE-0.7SBS			
TUNNEL	T15-1001** TUNNEL 5.1 × 4.6	T15-1002** TUNNEL 5.1 × 10.4	T15-1003** TUNNEL 9.5 × 18.3	T15-1004** TUNNEL 9.5 × 15.8	T15-1005** TUNNEL 9.5 × 13.2
	T15-1006** TUNNEL 6.9 × 11.4	T15-1007** TUNNEL 7.9 × 18.8	T15-1008** TUNNEL 19.5 × 10.2	T15-1009** TUNNEL 13.4 × 20.5	T15-1010** TUNNEL 19.5 × 12
QUAD	T15-1201** QUAD 13.6 × 8.5	T15-1202** QUAD 10.3 × 10.3	T15-1203** QUAD 12.8 × 12.8	T15-1204** QUAD 17.9 × 17.9	T15-1205** QUAD 23.4 × 17.3
	T15-1206** QUAD 22.5 × 16.5	T15-1207** QUAD 15.5 × 15.5	T15-1208** QUAD 15.8 × 15.8	T15-1209** QUAD 8.4 × 8.4	T15-1210** QUAD 15.4 × 12.8
SPATULA	T15-1401** SPATULA 10.4	T15-1402** ATULA 15.7	T15-1403** SPATULA 21.2	T15-1406** SPATULA 40	
SPECIAL APPLICATIONS TYPE	T15-1603** SHAPE-1.8MM LONG REACH CHISEL	T15-1605** SHAPE-LONG REACH BENT CHISEL	T15-XD15 SHAPE-1.5XD		

* Tinned on the soldering surface only.

** The iron tips marked with double asterisks (**) have a temperature accuracy of ±25°C (±45°F). Others have a temperature accuracy of ±15°C (±27°F).