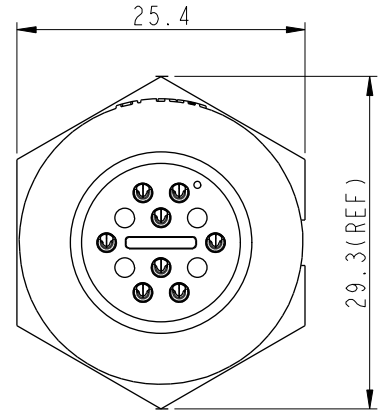
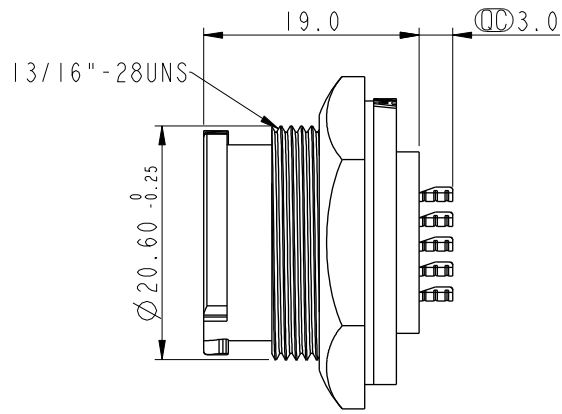
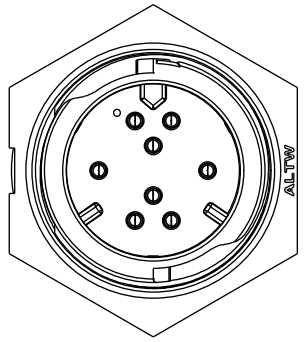
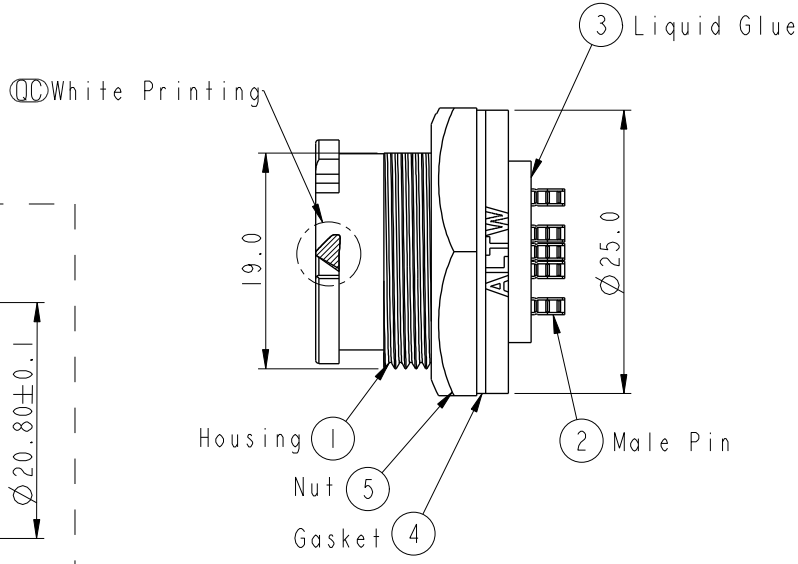


REV.	ECN NO.	DATE	SIGN	DESCRIPTION

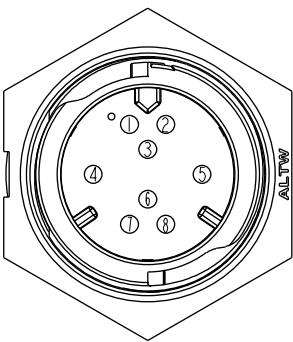
ALTW
CONFIDENTIAL
2014-12-11
R&D DEPT.



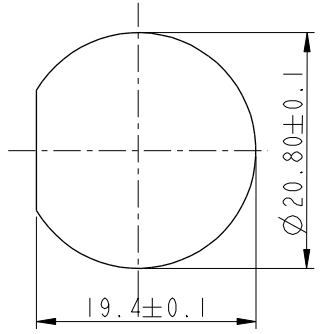
ALTW
DCC. DEPT.
CONFIDENTIAL
2015.03.23
ISSUED



- Note:
- * QC Important Dimension To Check.
 - * Waterproof Rate: IP68
 - * Working Voltage Rating: AC 300V
 - * Working Current: 5A
 - * Housing: Nylon+GF, Black
 - * Male Pin: Copper Alloy, Gold Plated
 - * Liquid Glue: Black
 - * Gasket: Silicone, Gray
 - * Nut: Nylon+GF, Black
 - * Gasket: Silicone, Gary
 - * Use Without Waterproof Cap
Panel Thickness Max: 4.2mm
 - * Use With Waterproof Cap
Panel Thickness Max: 3.0mm



Pin Assignments
Front View



Recommender Panel Cut-Out

UNIT:mm	
TOLERANCE	
.X	±0.25
.XX	±0.1
.XXX	±0.05
ANGLES	±1°

TITLE X-Lok C Size Receptacle Front 8 Pin M Conn. M Pin			
SCALE 3:2	SIZE A4	SHEET 1 OF 1	
REV. A	WC-REV. A.1	QC : Inspection item	

Amphenol LTW
安費諾亮泰企業股份有限公司

ITEM NO. CD-08PMMS-QC8001	DRAWN BY Micky	DATE 2014-12-11
DWG NO. CD-08PMMS-QC8001	CHECKED BY Spring	DATE 2014-12-11
CUSTOMER ALTW	APPROVED BY Kevin	DATE 2014-12-11

THIS DOCUMENT IS SUBJECT TO CHANGE WITHOUT NOTICE. IT IS CONFIDENTIAL AND A PROPERTY OF AMPHENOL LTW. DISCLOSURE TO THIRD PARTY HAS TO BE AUTHORIZED BY AMPHENOL LTW.