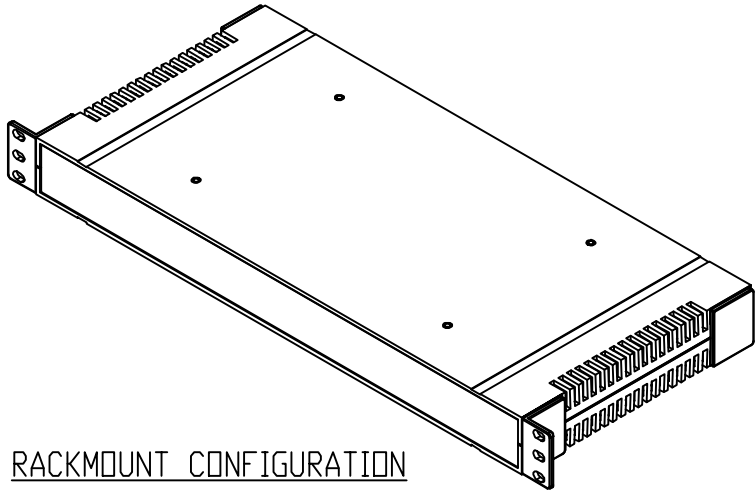
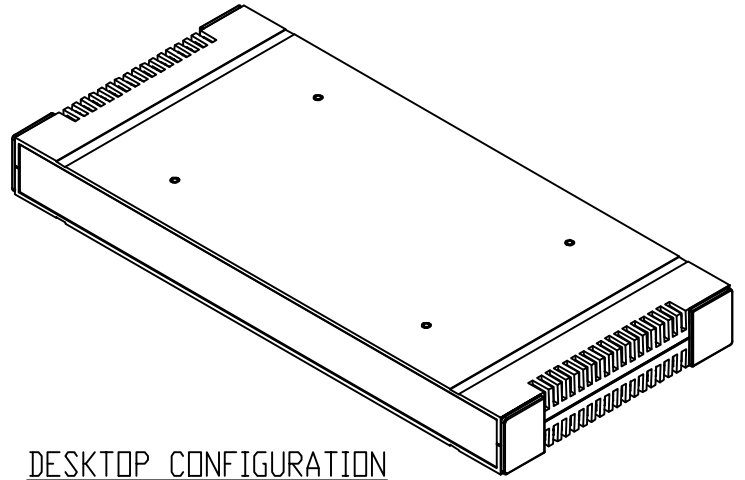


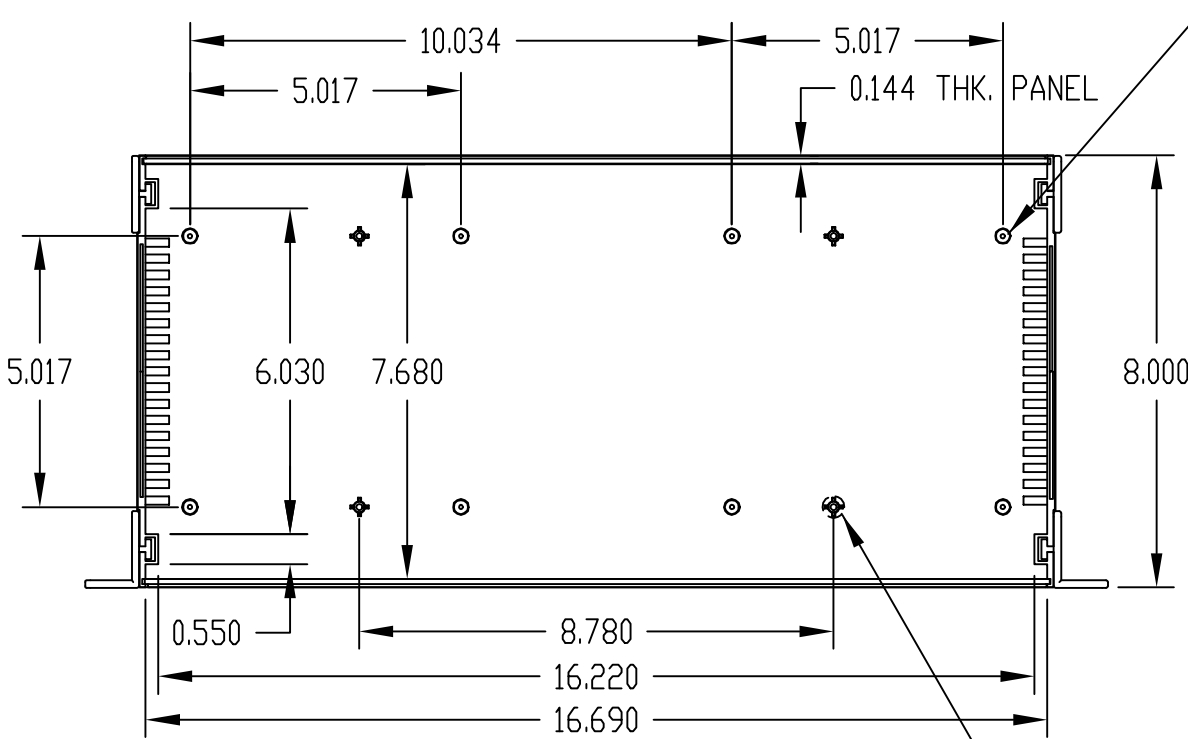
PART NAME	RACKMOUNT BOX	PART No.	PRM-14460 TO PRM-14464	REV. DATE	1-26-10
-----------	---------------	----------	------------------------	-----------	---------



RACKMOUNT CONFIGURATION



DESKTOP CONFIGURATION



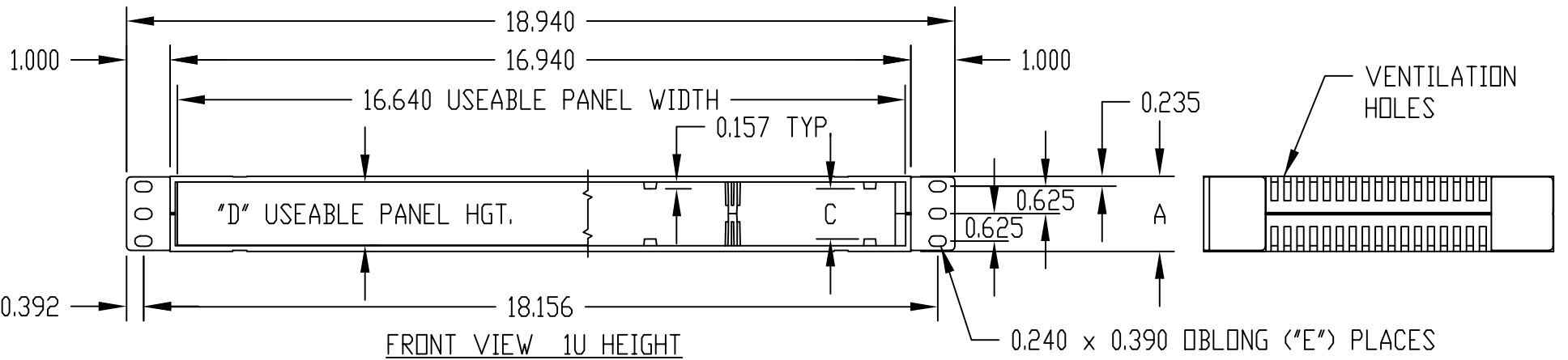
TOP VIEW (LESS TOP)

0.285 DIA. BOSS WITH 0.085 DIA. HOLE
x 0.156 DEEP (16) PLACES
(8) PL'S. IN BOTTOM, (8) PL'S. IN TOP

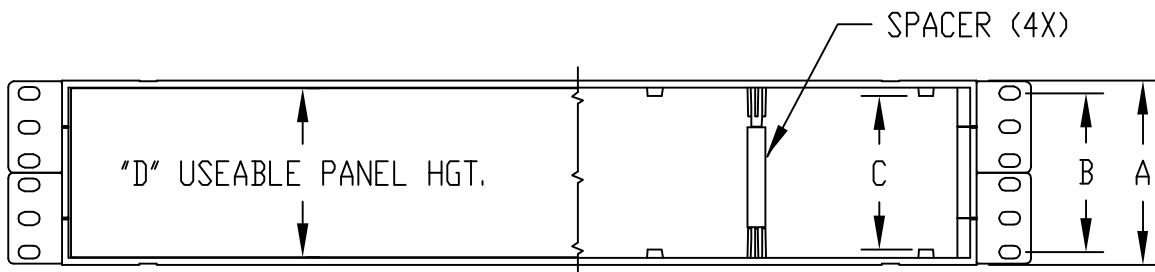
MATERIAL:
MOLDED ABS UL94-HB
FINISH:
BLACK TEXTURED

NOTES:
UNITS SHIPPED UNASSEMBLED
MOUNTING BOSSES USE EITHER M2.5
METRIC OR #4 STD. SHEET METAL
SCREWS x 0.188" LG. (NOT SUPPLIED)
ALL DIMENSIONS HAVE ±0.040 TOLERANCE
UNLESS OTHERWISE SPECIFIED.

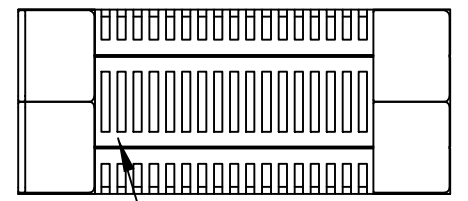
0.406 DIA. CLEARANCE HOLE
REQUIRED IN P.C.B.



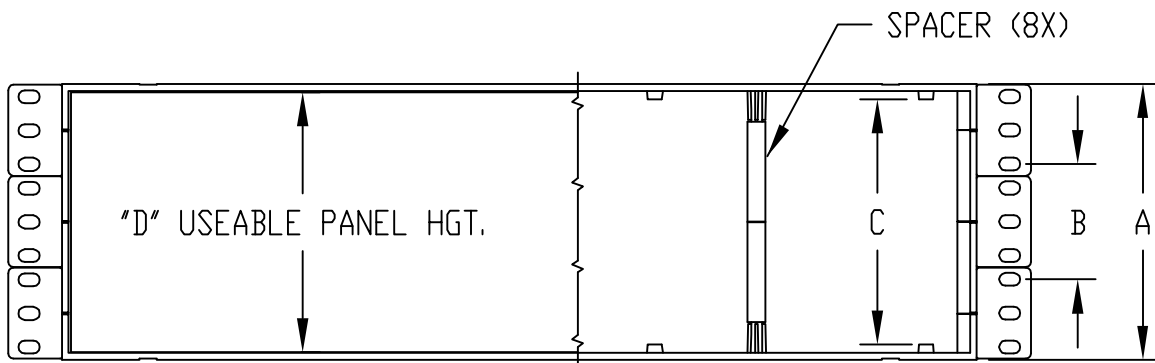
FRONT VIEW 1U HEIGHT



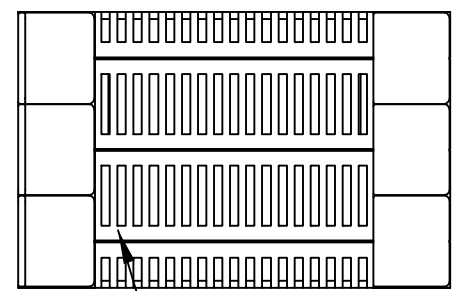
FRONT VIEW 2U HEIGHT



SIDE PANEL (2X)



FRONT VIEW 3U HEIGHT



SIDE PANEL (4X)

PART No.	"A"	"B"	"C"	"D"	"E"
PRM-14460	1.720	---	1.146	1.440	(6)
PRM-14462	3.416	3.000	2.842	3.128	(12)
PRM-14464	5.112	2.250	4.538	4.816	(18)