

MICRO SWITCH
a Honeywell Division

FED MFG. CODE 91929

ACTUATOR-SWITCH

CATALOG LISTING

JE-73

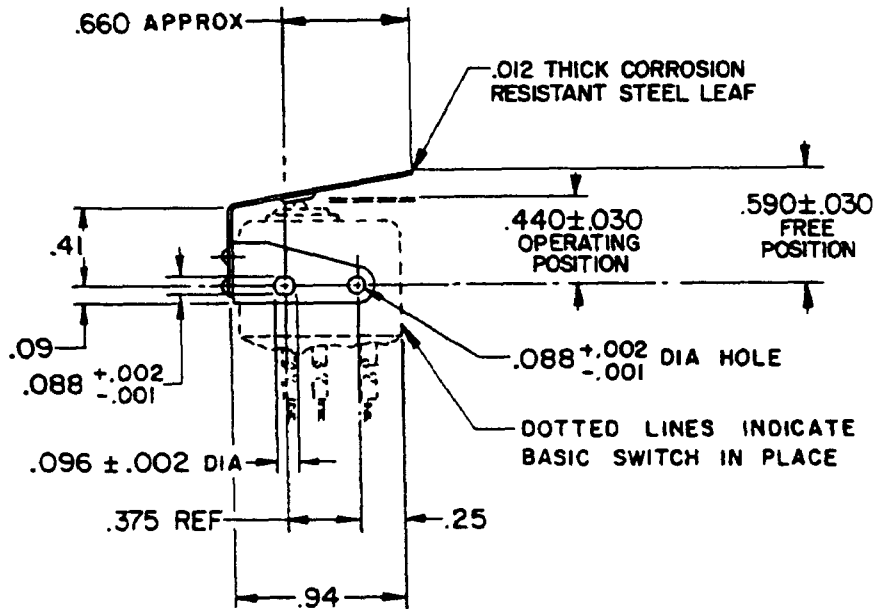
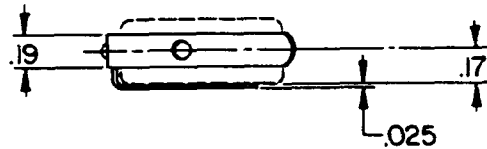
CATALOG LISTING
JE-73
PAGE 1 OF 1
RELEASE NO PR-5024

ISSUE
M
6

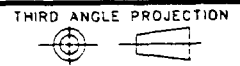
REVISIONS

A	OBBS	CO69507
	DAW	21 FEB 91
B	RE-IN	PR21936
	JJA	5 JAN 96
C		204294
	CSL	2 NOV 01

CHECK
CHECK
CHECK
8 JAN 96
CHECK
JJA 5 JAN 96
DRAWN



THIS DRAWING COVERS A PROPRIETARY ITEM AND IS THE PROPERTY OF MICRO SWITCH A DIVISION OF HONEYWELL THIS DRAWING IS NOT TO BE COPIED OR USED WITHOUT THE APPROVAL OF MICRO SWITCH



CHARACTERISTICS
OPERATING FORCE ----- 12 OZ MAX
RELEASE FORCE ----- 2 OZ MIN
DIFFERENTIAL TRAVEL --- .025 MAX
OVERTRAVEL ----- .015 MIN

ELECTRICAL DATA
CONTACT ARRANGEMENT

SCALE FULL	DO NOT SCALE PRINT
UNLESS OTHERWISE SPECIFIED TOLERANCES ARE	
ONE PLACE ()	± .030
TWO PLACE (00)	± .015
THREE PLACE (000)	± .005
ANGLES	±
WEIGHT	

RASTER

MICRO SWITCH

a Honeywell Division

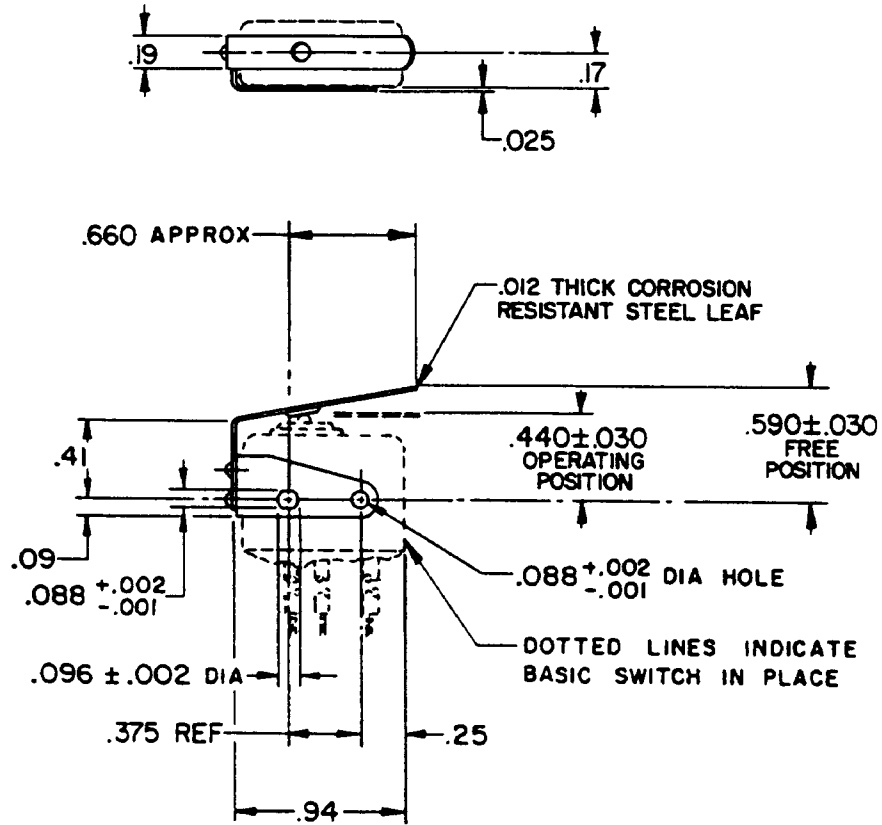
FED MFG. CODE 91929

ACTUATOR-SWITCH

CATALOG LISTING

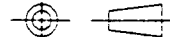
JE-73

CATALOG LISTING
 JE-73
 PAGE 1 OF 1
 RELEASE NO PR-5024
 REPLACES
 ISSUE
M
 5
 CHECK
 REVISIONS
 A OBS
 C069507
 DAW
 21 FEB 91
 B PRE-IN
 PR21936
 J J A
 5 JAN 96
 CHECK
 8 JAN 96
 TSM
 CHECK
 5 JAN 96
 DRAWN
 J J A



THIS DRAWING COVERS A PROPRIETARY ITEM AND IS THE PROPERTY OF MICRO SWITCH A DIVISION OF HONEYWELL THIS DRAWING IS NOT TO BE COPIED OR USED WITHOUT THE APPROVAL OF MICRO SWITCH

THIRD ANGLE PROJECTION



CHARACTERISTICS

OPERATING FORCE ----- 12 OZ MAX
 RELEASE FORCE ----- **2 OZ MIN**
 DIFFERENTIAL TRAVEL ----- .025 MAX
 OVERTRAVEL ----- .015 MIN

ELECTRICAL DATA

CONTACT ARRANGEMENT

SCALE FULL

DO NOT SCALE PRINT

UNLESS OTHERWISE SPECIFIED TOLERANCES ARE

ONE PLACE (0) ± .030

TWO PLACE (00) ± .015

THREE PLACE (000) ± .005

ANGLES ±

WEIGHT