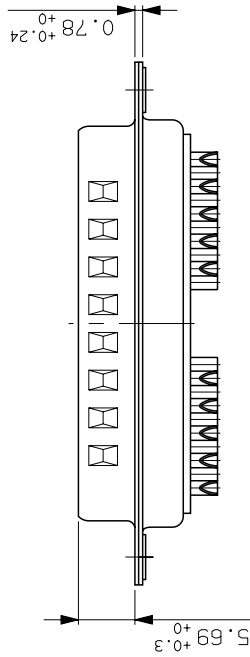
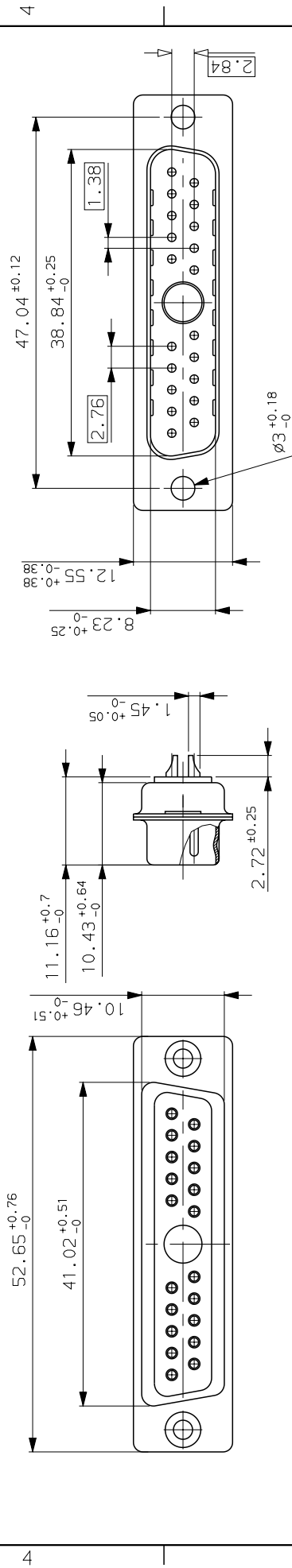


GENERAL CHARACTERISTICS : SEE DRAWING C01-8639-0000



DB21W1PA00
PART NUMBER

b	01/10/03	update	--
ISS DATE	Latest modification by : DEBRAY.T	MOD N°	--
Designed by: JARRY date:10/01/01 Type of drawing: CLIENT			
TITLE : PIN CONNECTOR 21W1			
SCALE: 2			
		This document is the property of FRAMATOME CONNECTORS FRANCE It must not be reproduced or communicated without permission in writing from the owners	
FRAMATOME CONNECTORS FRANCE Rue Louis Breguet - Bp 05 72024 LE MANS Cedex Tel. (33)02.43.78.34.00		DRG N°	
FORMAT	A3	PROJECT	M94D001

