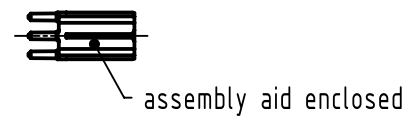
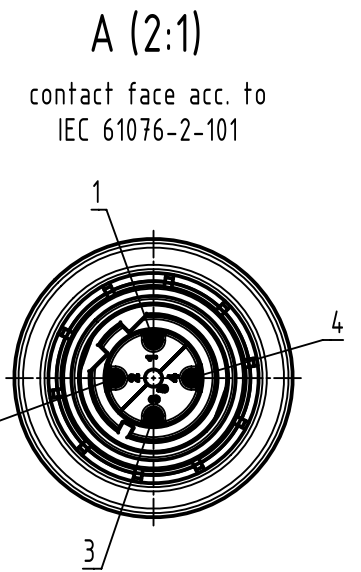
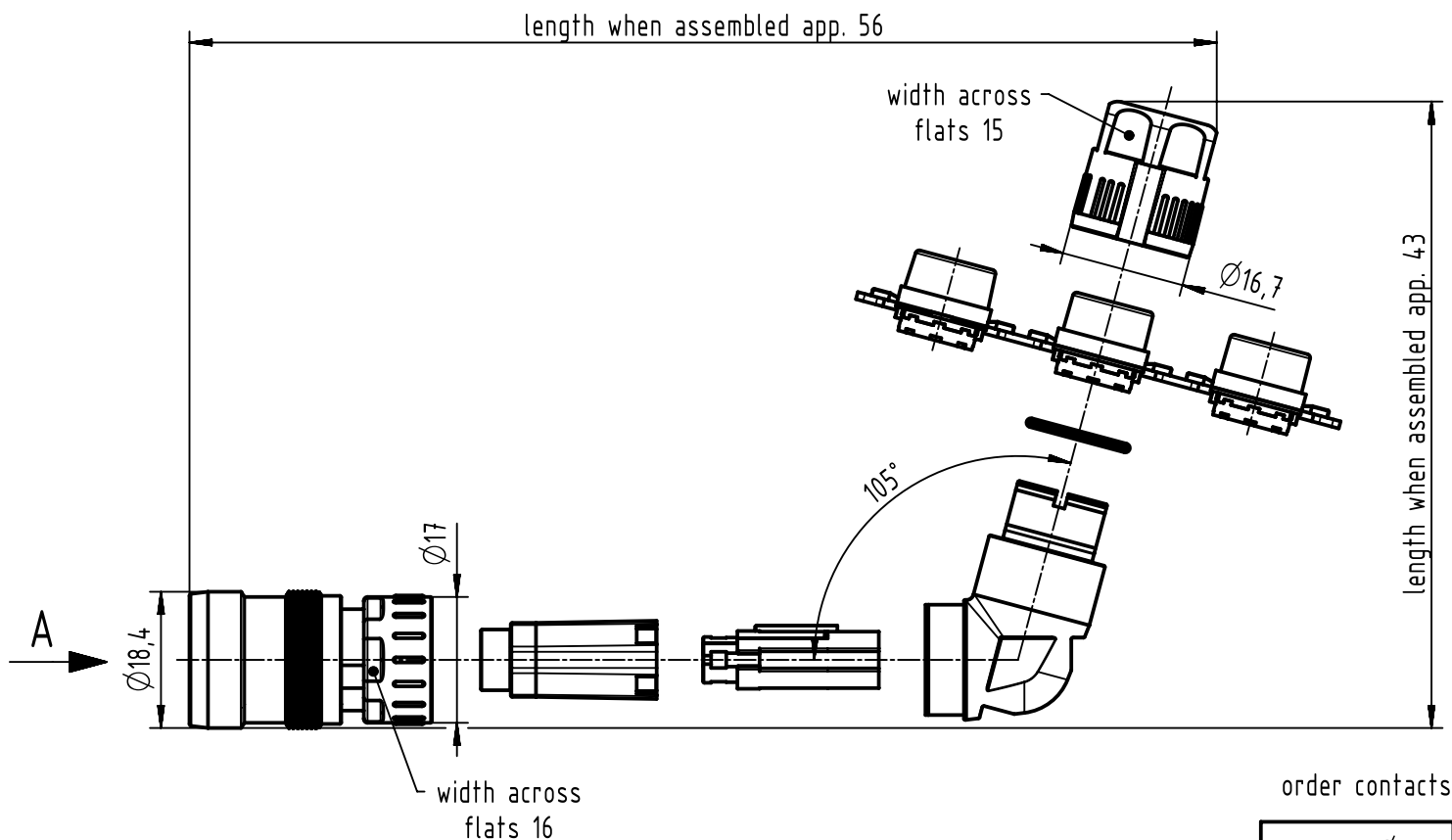
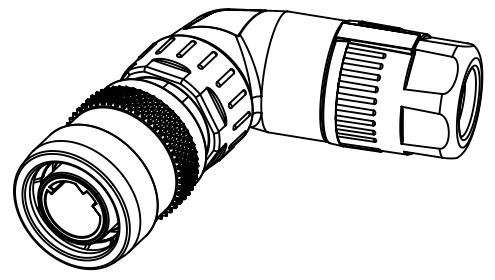


A
B
C
D



order contacts separately

cable ϕ	wire gauge	part-no.
5.7-8.8mm	AWG 26-22	09 67 000 5576
	AWG 24-20	09 67 000 8576
	AWG 22-18	09 67 000 3576



	All Dimensions in mm Original Size DIN A4		Scale 1:1	Free size tol.		Ref. Sub. TB 21038813430 / 500000121082 / 2017-06-21		
	All rights reserved Department EC PD - DE		Created by BUSSMANT	Inspected by GENAU	Standardisation HOFFMANN	Date 2017-09-21	State Final Release	
HARTING Electronics GmbH D-32339 Espelkamp			Title M12-PP-CC-CRIMP-4P-DCOD-M-ANG-SHLD				Doc-Key / ECM-Nr. 100684470/UGD/003/B 500000125544	
			Type TB	Number 21038813430			Rev. B	Page 1/1