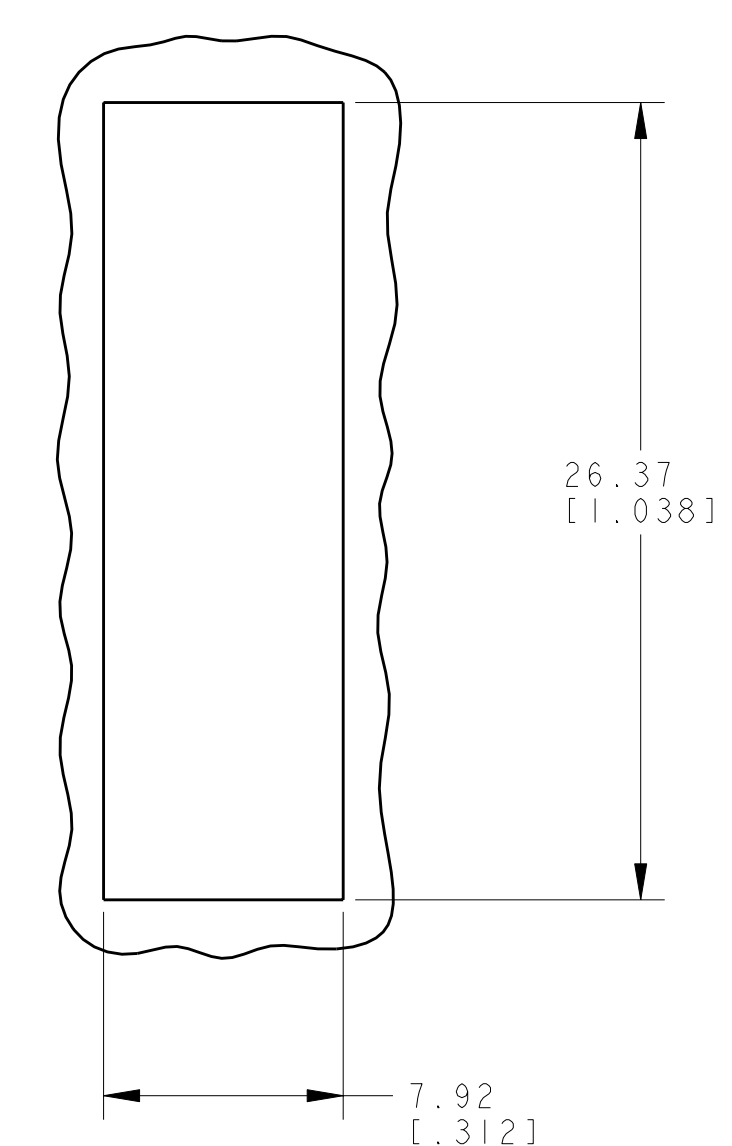
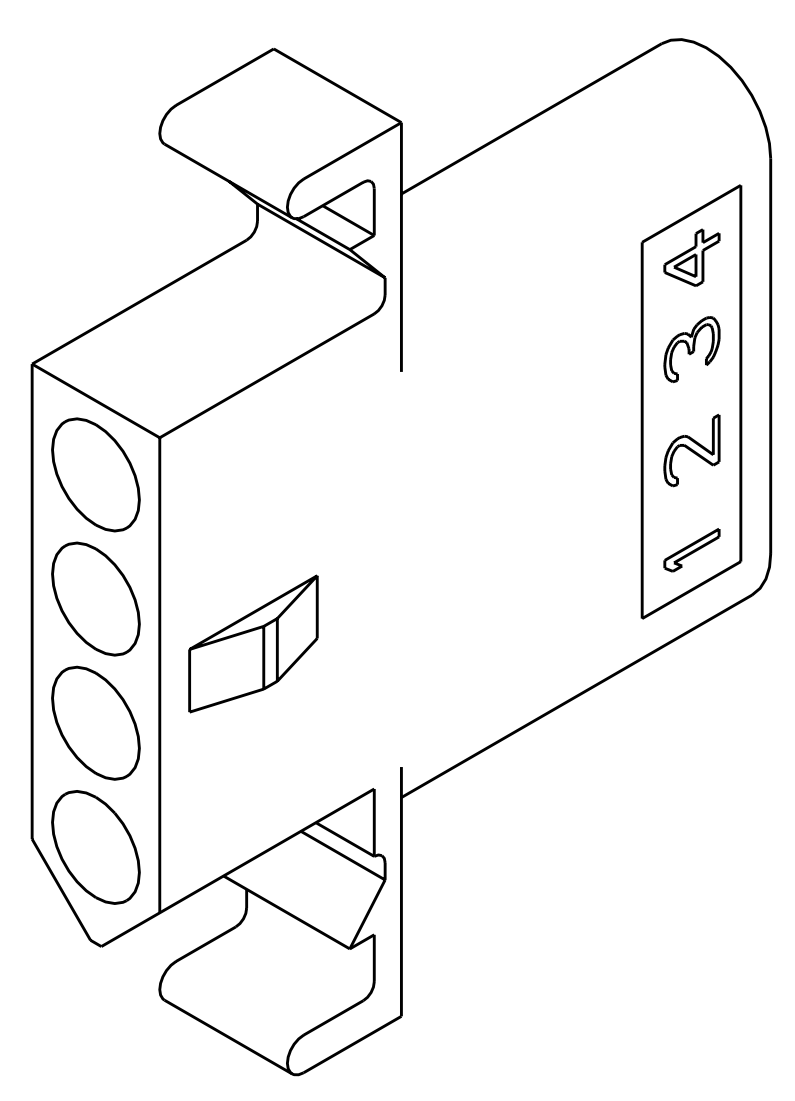
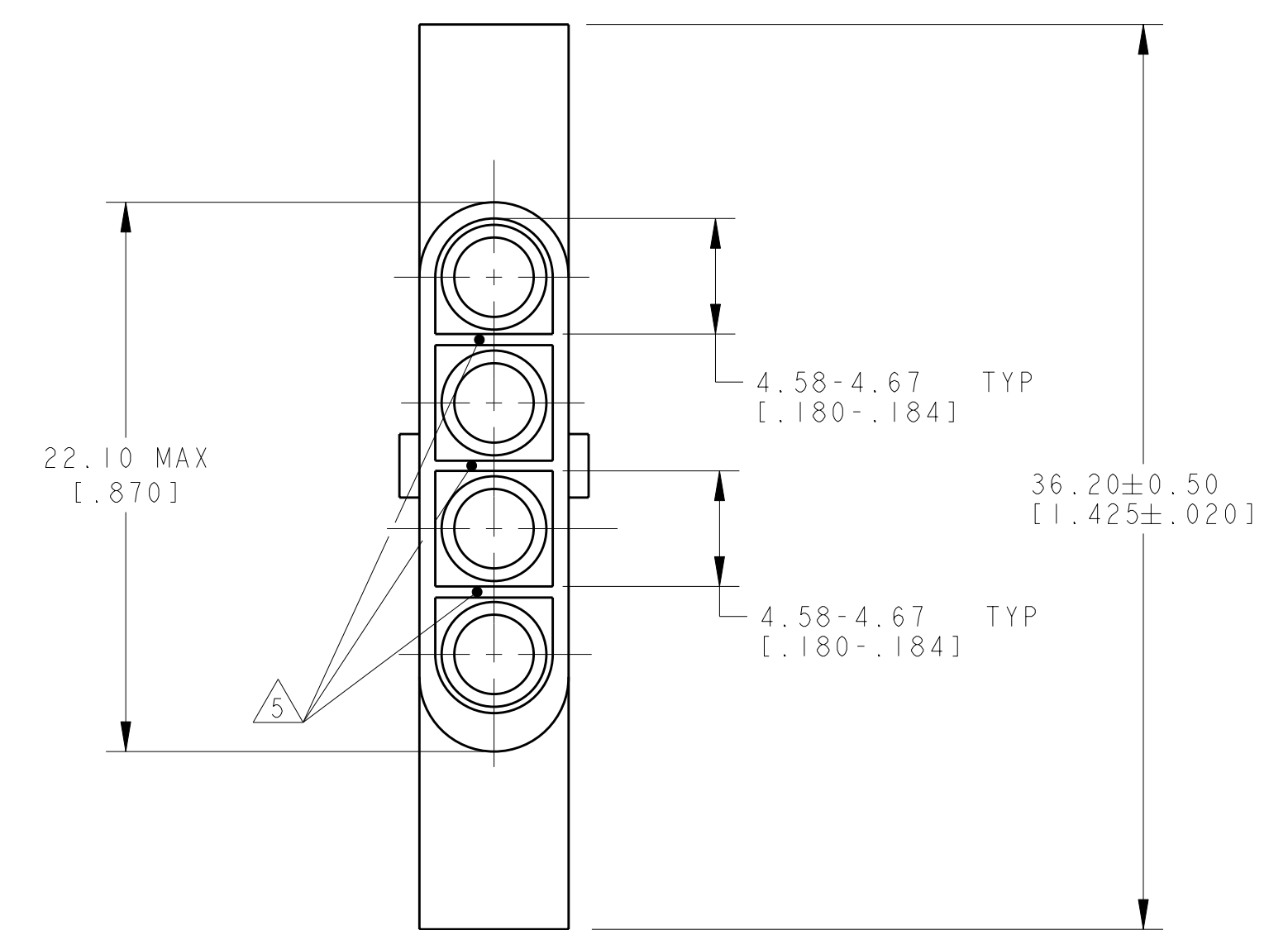
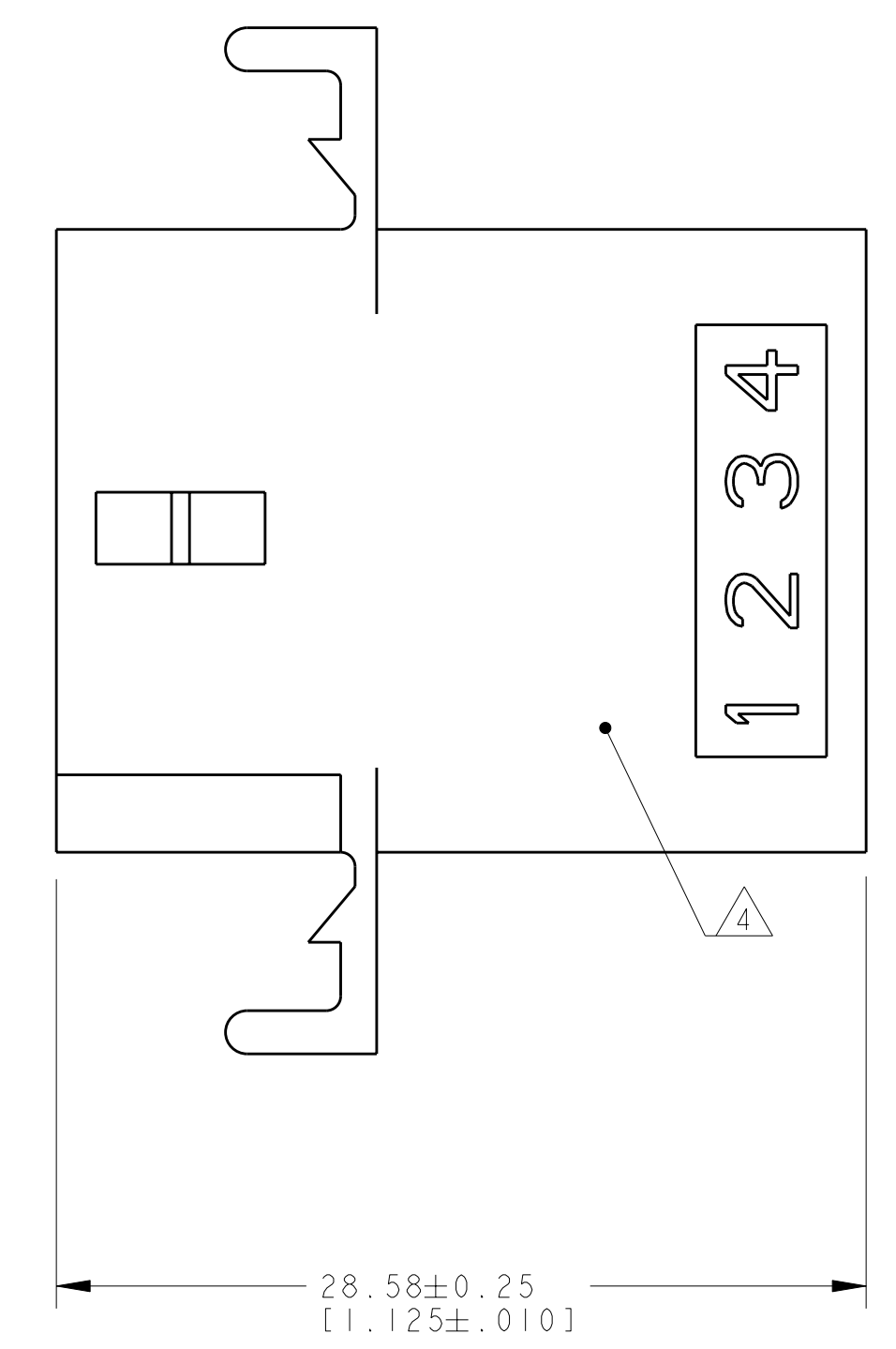
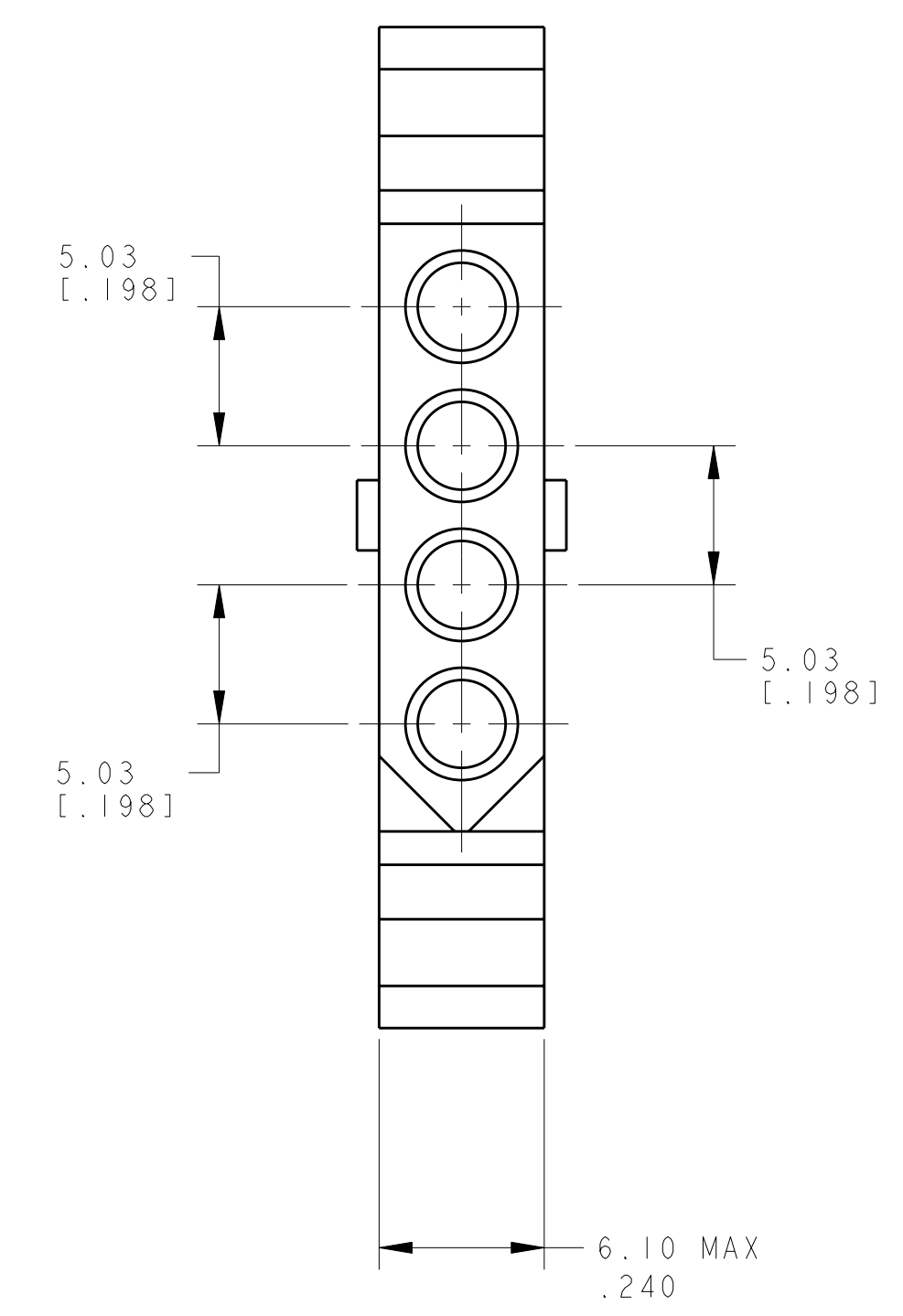


LOC	DIST	REVISIONS					
CM	00	P	LTB	DESCRIPTION	DATE	DWN	APVD
		L		REVISED PER 0638-0540-04	02AUG04	KW	DC
		L		REVISED PER ECO-06-008661	19JUL06	KW	DC

- △ MATERIAL: NYLON UL94V-2 (NATURAL).
- 2. RECOMMENDED PANEL THICKNESS 2.29 [.090] MAX.
- 3. MARKING FOR UL AND CSA LOGO SHALL BE LOCATED ON ANY EXTERNAL SURFACE.
- △ AMP LOGO AND CIRCUIT NUMBERS LOCATED IN AREA, EITHER SIDE, SIZE OPTIONAL, FROST BACKGROUND.
- △ WALL THICKNESS TO MEASURE 0.36-0.46 [.014-.018]



RECOMMENDED PANEL CUT OUT



770076-1  
 PART NUMBER

DIMENSIONS: mm [INCHES]		TOLERANCES UNLESS OTHERWISE SPECIFIED: 9 PLC ± 8 PLC ±0.13 [1.005] 5 PLC ± 4 PLC ± ANGLES ±40°30'		DWN R. WHITAKER 02AUG2004 CHK D. COLEY 02AUG2004 APVD D. COLEY 02AUG2004		Tyco Electronics Harrisburg, PA 17105-3608	
MATERIAL: △		FINISH: -		NAME: RECEPTACLE, 4-CIRCUIT, .093 COMMERCIAL PIN AND SOCKET		SIZE: A   CAGE CODE: 770076   DRAWING NO: 770076-1	
CUSTOMER DRAWING				SCALE: 4:1		SHEET: 1 OF 1	