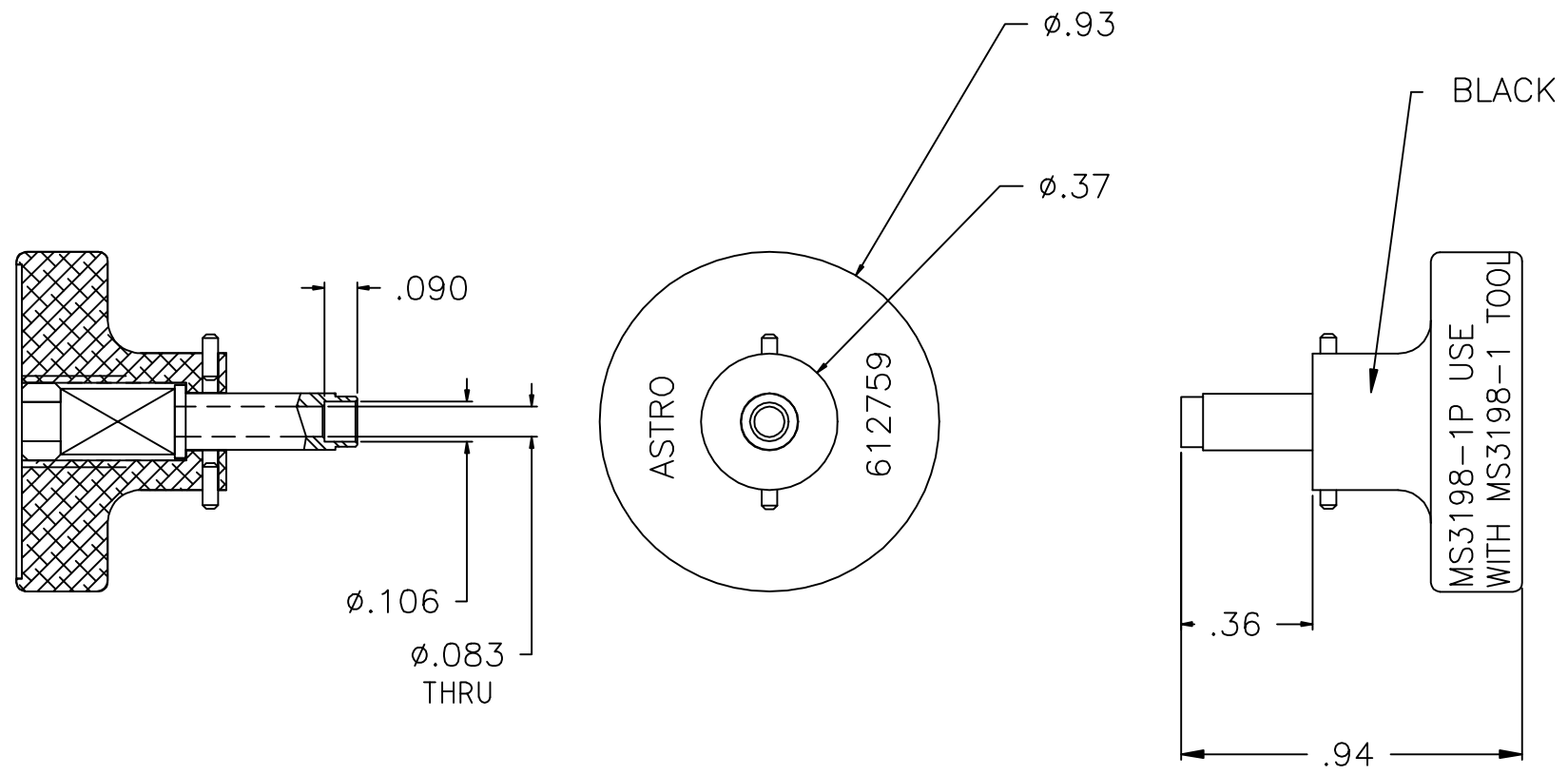


USE WITH CONTACTS

WIRE	20	22	24	26
SEL.	7	6	5	4


MS3192-20
MS3193-20

MS24254-20P M39029/4-20-20
MS24255-20S M39029/5-20-20
MS18134-20 M39029/9-20-20
MS18136-20 M39029/10-20-20
M83723/33-20
M83723/34-20



**UNCONTROLLED DOCUMENT
WILL NOT BE UPDATED**

NOTES: 1. THIS IS AN ACAD DRAWING DO NOT CHANGE MANUALLY.

					THESE DRAWINGS, SPECIFICATIONS OR OTHER DATA ARE AND REMAIN THE PROPERTY OF ASTRO TOOL CORP. AND MUST BE RETURNED UPON REQUEST. THEY CONTAIN INFORMATION OWNED AND/OR DEVELOPED BY ASTRO AT ITS OWN PRIVATE EXPENSE AND MAY NOT BE USED, DUPLICATED OR DISCLOSED TO OTHERS, IN WHOLE OR IN PART FOR DESIGN, MANUFACTURE OR PROCUREMENT WITHOUT THE WRITTEN PERMISSION OF ASTRO TOOL CORP. EACH AND EVERY TIME.	SCALE: N.T.S.	UNLESS OTHERWISE SPECIFIED: DECIMALS: .XXX ± .005 .XX ± .010 .X ± .030 ANGLES: ± 1°	 21615 S.W. TUALATIN VALLEY HWY., BEAVERTON OR 97006	CAGE 58164
A NEW RELEASE.					DYO 06-23-10	DWN BY: DYO			DESCRIPTION: ENVELOPE DRAWING: 612759 POSITIONER (MS3198-1P)
REV.	DESCRIPTION	BY	DATE	APR.		DATE: 06-23-10			
						APPROVED:			PART NO. B 612759-ENV