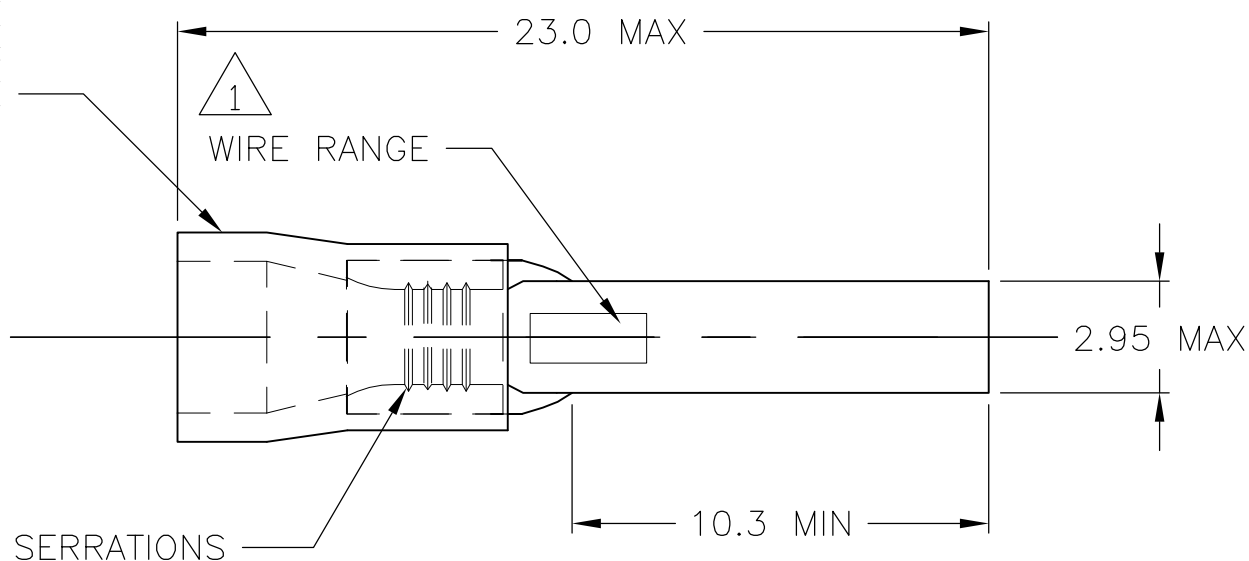


THIS DRAWING IS UNPUBLISHED. RELEASED FOR PUBLICATION

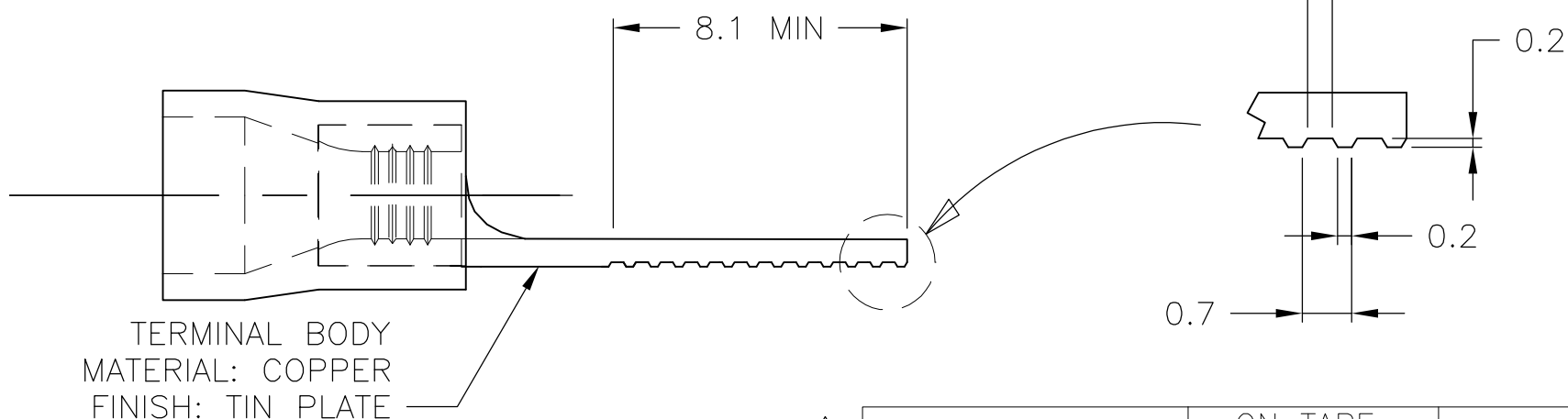
© COPYRIGHT BY TYCO ELECTRONICS CORPORATION. ALL RIGHTS RESERVED.

LOC	DIST	REVISIONS					
		P	LTR	DESCRIPTION	DATE	DWN	APVD
G	02		F2	REV PER ECR 06-006559	29MAR06	JR	TM
			F3	REVISED PER ECO-09-020935	29AUG09	KK	AEG

INSULATION SLEEVE
MATERIAL: PVC
COLOR: BLUE



- 1 WIRE SIZE IS 16-14 AWG
- 2 WIRE INSULATION DIA: 3.0-4.9
- 3 MATERIAL THICKNESS IS 0.80±0.05
- 4 600 VOLT MAX
- 5 CIRCULAR MIL AREA:
2,050 - 5,180 (1.04mm²-2.62mm²)
- 6 OBSOLETE PARTS: OBSOLETE CIS STREAMLINING
PER D.RENAUD/D.SINISI



6 OBSOLETE	ON TAPE, REEL	STANDARD	4000	2-131444-1
	PLASTIC BAG	STANDARD	1000	131444
	PACKAGING	LABELLING	QTY	PART NO

THIS DRAWING IS A CONTROLLED DOCUMENT.		DWN jr_ruth 08DEC05	Tyco Electronics Corporation Harrisburg, PA 17105-3608	
DIMENSIONS: mm	TOLERANCES UNLESS OTHERWISE SPECIFIED:	CHK T MICHIELUTTI 08DEC05	NAME TERMINAL, PIN, PLASTI-GRIP,	
	0 PLC ± - 1 PLC ± 0.5 2 PLC ± - 3 PLC ± - 4 PLC ± - ANGLES ± 1°	APVD T MICHIELUTTI 08DEC05	PRODUCT SPEC -	
MATERIAL -	FINISH -	APPLICATION SPEC -	SIZE A3	RESTRICTED TO -
		WEIGHT -	CAGE CODE 00779	REV F3
		DRAWING NO G-131444		
CUSTOMER DRAWING		SCALE 5:1	SHEET 1 OF 1	