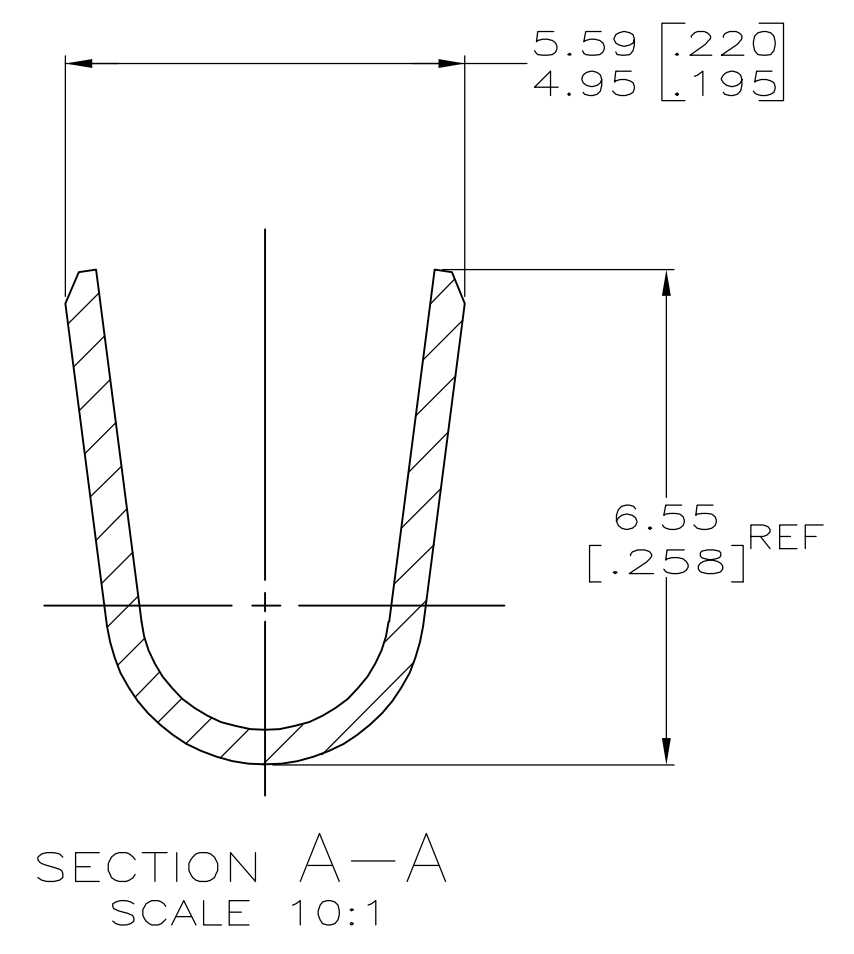
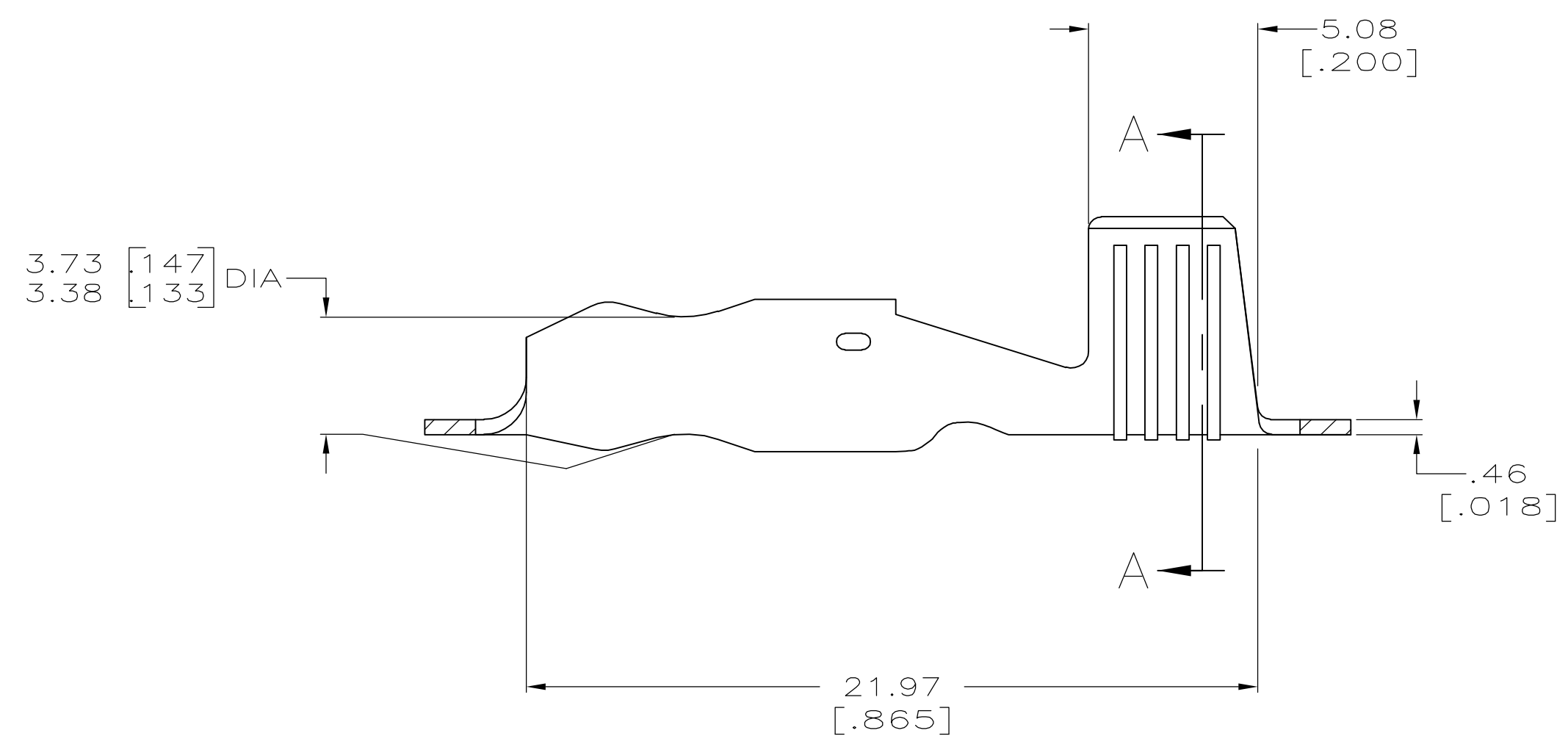
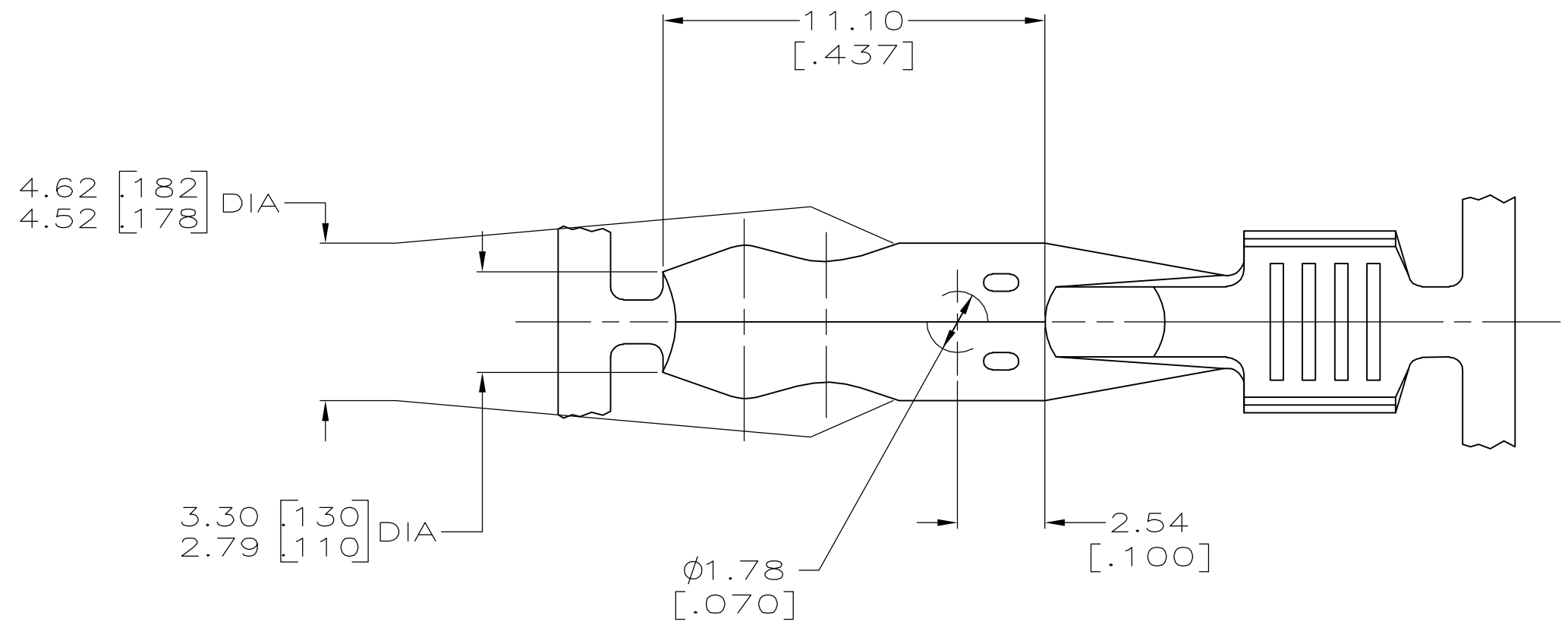


THIS DRAWING IS UNPUBLISHED. RELEASED FOR PUBLICATION
 © COPYRIGHT BY TYCO ELECTRONICS CORPORATION. ALL RIGHTS RESERVED.

LOC		DIST		REVISIONS			
P	LTR	DESCRIPTION		DATE	DWN	APVD	
AF	50	E		REL PER 0G3A-0074-04	06FEB2004	RF	DD

- 1 CONTINUOUS STRIP ON REELS.
- 2 WIRE SIZE IS #12-#10 OR FOUR #14'S AWG
- 3 PRELIMINARY - NOT FOR PRODUCTION.



0.00381 [.000150] MIN NICKEL	3 1217400-2
0.002032 [.000080] MIN TIN	1217400-1
FINISH	PART NUMBER

THIS DRAWING IS A CONTROLLED DOCUMENT.		DWN 19MAY2000 MICHAEL S. FEHER	tyco Tyco Electronics Corporation	
DIMENSIONS: MM		CHK 22MAY2000 DONALD DECKER	Electronics Harrisburg, PA 17105	
TOLERANCES UNLESS OTHERWISE SPECIFIED:		APVD 22MAY2000 DONALD DECKER	NAME SHUR-PLUG, 4.57[.180] DIA.	
0 PLC ± -		PRODUCT SPEC	-	
1 PLC ± -		APPLICATION SPEC	-	
2 PLC ± 0.25[.010]		114-2017	SIZE A2	CAGE CODE 00779
3 PLC ± -		WEIGHT -	DRAWING NO C=1217400	
4 PLC ± -		FINISH SEE TABLE	RESTRICTED TO -	
ANGLES ± -		CUSTOMER DRAWING	SCALE 6:1	SHEET 1 OF 1
MATERIAL 081 BRASS		REV E		